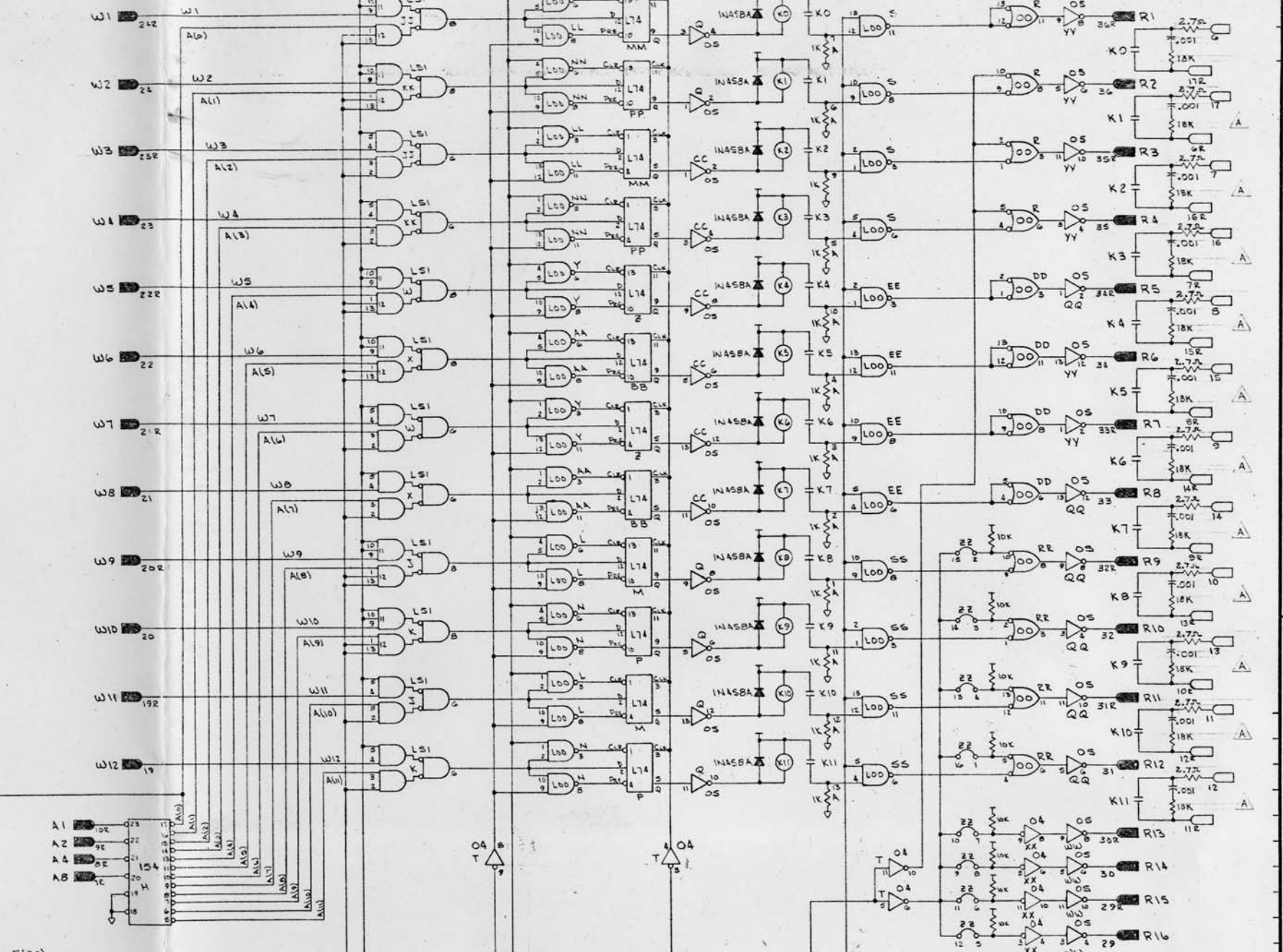
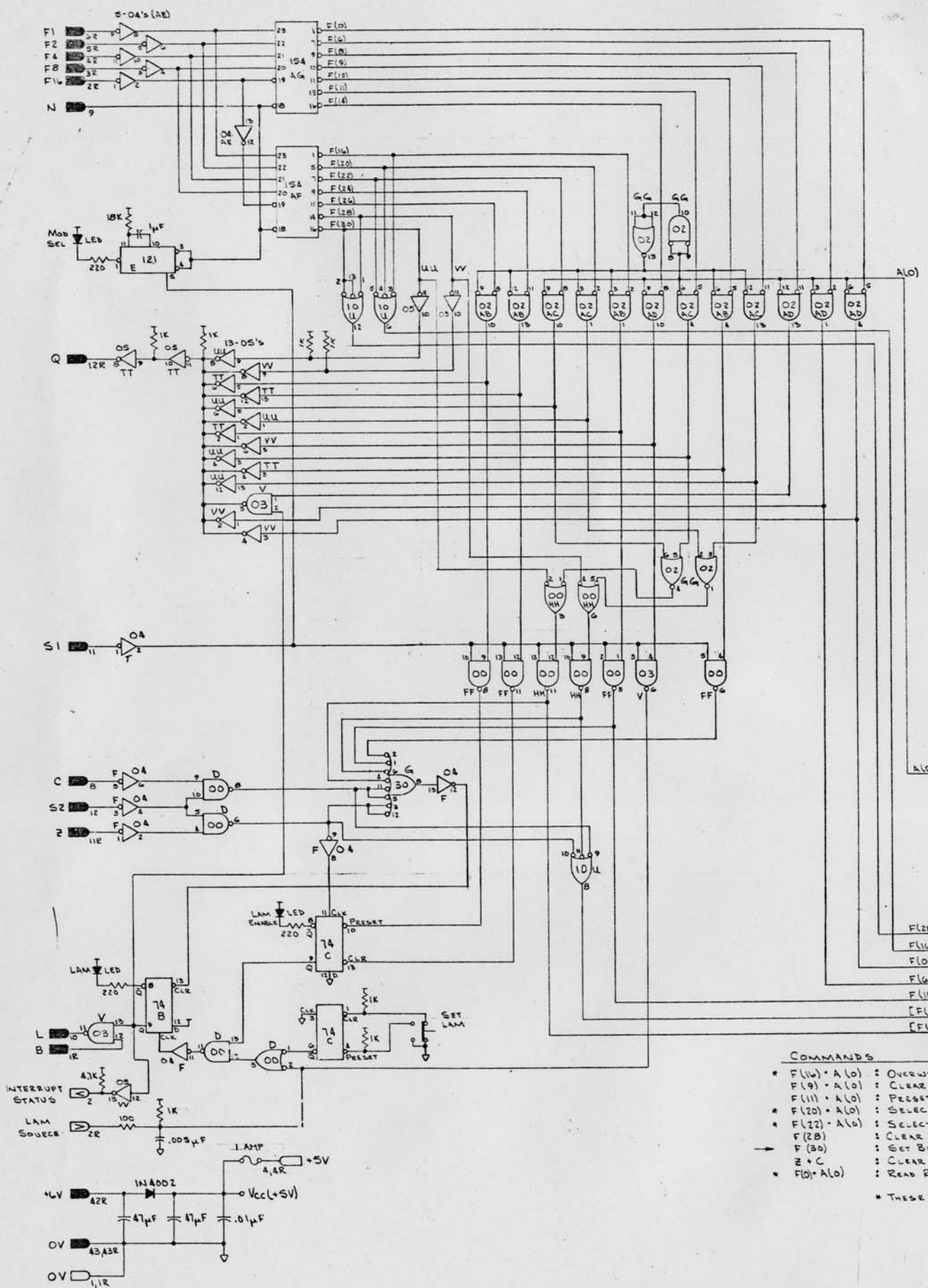


SYM	DESCRIPTION	APPD.	DATE	FILED
A	CHANGED I/O CONNECTOR NUMBERS ON RELAY CONTACTS	R.H.W.	3-22-71	



$F(28) \cdot A(0)$
 $F(16) \cdot F(20) \cdot F(22)$
 $F(0) \cdot A(0)$
 $F(6) \cdot A(0)$
 $F(9) \cdot A(0) \cdot F(23) \cdot A(0) \cdot F(28) \cdot S1 \cdot (C+Z) \cdot S2$
 $F(11) \cdot A(0) \cdot F(22) \cdot A(0) \cdot F(30) \cdot S1$

- | COMMANDS | AFFECT REGISTER | DO NOT AFFECT REGISTER |
|---|-----------------|--|
| • $F(16) \cdot A(0)$: Overwrite 12 Bit Register | | $F(11) \cdot A(0)$: Set LAM |
| • $F(9) \cdot A(0)$: Clear 12 Bit Register | | $F(8) \cdot A(0)$: TEST LAM |
| • $F(11) \cdot A(0)$: PReset 12 Bit Register | | $F(10) \cdot A(0)$: CLEAR LAM |
| • $F(20) \cdot A(0)$: Selectively Clear 12 Bit Register | | $F(28) \cdot A(0)$: DISABLE LAM SOURCE |
| • $F(22) \cdot A(0)$: Selectively PReset 12 Bit Register | | $F(26) \cdot A(0)$: ENABLE LAM SOURCE |
| • $F(28) \cdot A(0)$: Clear Bit Defined By Subaddress | | $F(24) \cdot A(0)$: DISABLE LAM SOURCE, CLEAR LAM |
| • $F(30) \cdot A(0)$: Set Bit Defined By Subaddress | | C : CLEAR LAM |
| • $Z+C$: Clear 12 Bit Register | | C : CLEAR LAM |
| • $F(0) \cdot A(0)$: Read Relay State (1=OPERATED) | | • $F(W) \cdot A(0)$: Read Module Type & R-O-B |
- THESE FUNCTIONS USE R & W LINES

INTEGRATED CIRCUITS	USED	PACKAGES	UNUSED
7400	24	6	-
7402	16	4	-
7403	3	1	-
7404	21	4	3
7405	46	8	2
7410	3	1	-
7430	1	1	-
7474	3	2	-
74121	1	1	-
74154	1	1	-
74100	36	9	-
74LS1	12	6	-
74LS74	12	6	-
RELAYS	12	12	-
RESISTOR Pkg	12	1	-
		65	

ITEM NO.	PART NO.	DESCRIPTION	QTY. REQ.
PARTS LIST			
UNLESS OTHERWISE SPECIFIED		ORIGINATOR	J. STEPHENSON
FRACTIONS	DECIMALS	DRAWN	E. R. BURKE 3-2-71
+	+	CHECKED	
1. BREAK ALL SHARP EDGES 1/64 MAX.		APPROVED	
2. DO NOT SCALE DWG.		APPROVED	
3. DIMENSIONING IN ACCORD WITH USASI Y14.5 STD.		USED ON	
✓ MAX. ALL MACHINED SURFACES			
NATIONAL ACCELERATOR LABORATORY U.S. ATOMIC ENERGY COMMISSION			
BEAM SYSTEMS CAMAC MODULE # 014 PARALLEL OUTPUT : RELAY CONTACTS 12 BITS			
SCALE	FILMED	DRAWING NUMBER	REV.
	FB	0880-ED-104077	C

