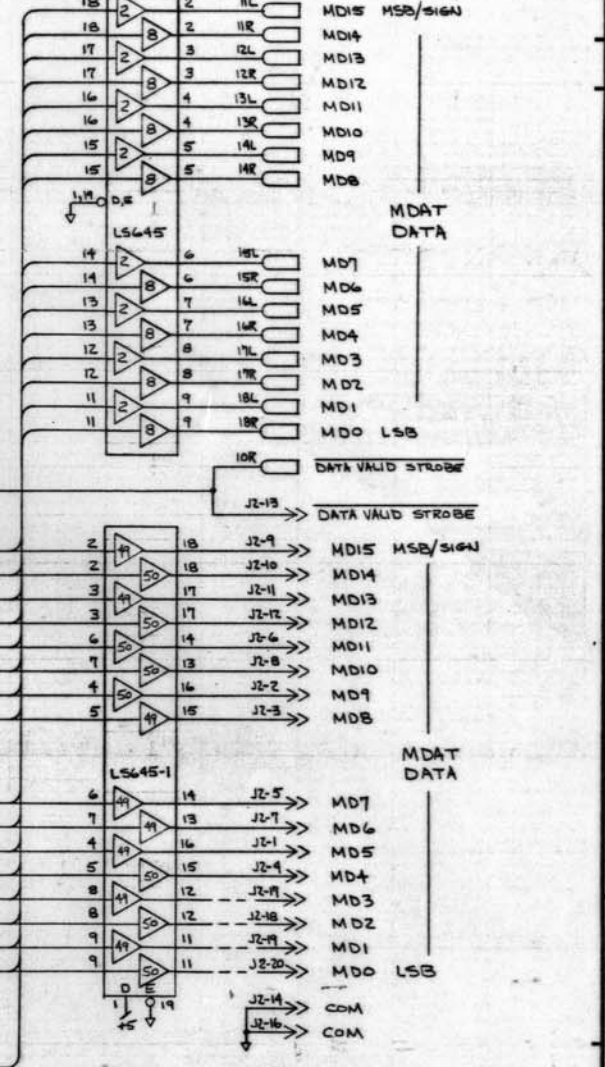
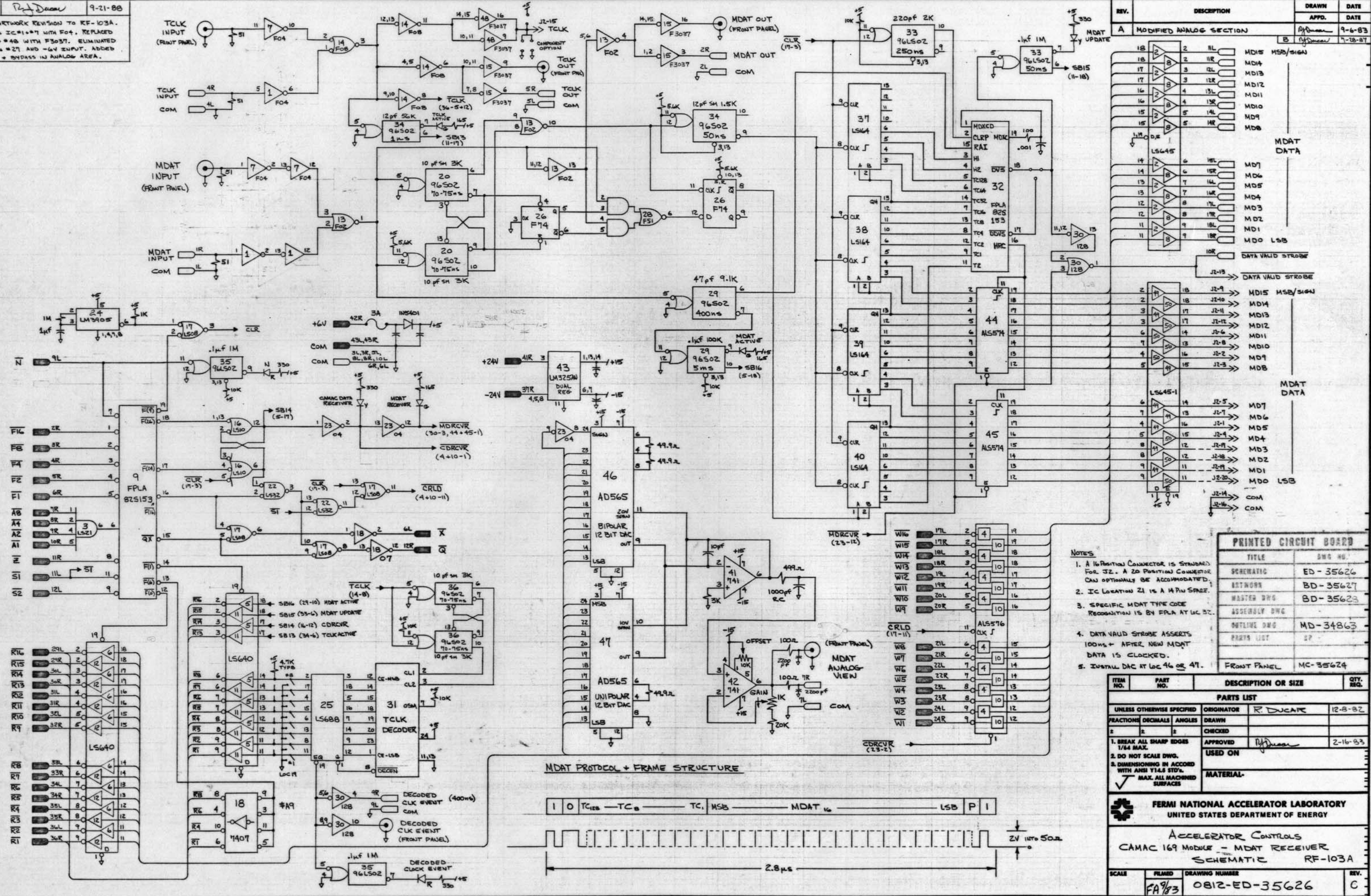


REV C R. D. DUCATE 9-21-88
 MAJOR NETWORK REVISION TO RF-103A.
 REPLACED IC#15+17 WITH F04. REPLACED
 IC#15+17 WITH F3037. ELIMINATED
 IC#21+27 AND -6V INPUT. ADDED
 GROUND + BYPASS IN ANALOG AREA.

REV.	DESCRIPTION	APPROVED	DATE
A	MODIFIED ANALOG SECTION	R. D. DUCATE	9-6-83
B		R. D. DUCATE	7-28-87



PRINTED CIRCUIT BOARD

TITLE	DWG NO.
SCHEMATIC	ED-35626
WORKING	BD-35627
MASTER DWG	BD-35623
ASSEMBLY DWG	
OUTLINE DWG	MD-34863
PARTS LIST	27
FRONT PANEL	MC-35624

NOTES

- A 16 Position Connector is STANDARD. For J2. A 20 Position Connector CAN OPTIONALLY BE ACCOMMODATED.
- IC LOCATION Z1 IS A M.P.U. SPACE.
- SPECIFIC MDAT TYPE CODE RECOGNITION IS BY FPLA AT LOC 32.
- DATA VALID STROBE ASSERTS 100ns+ AFTER NEW MDAT DATA IS CLOCKED.
- INSTALL DAC AT LOC 46 OR 47.

PARTS LIST

ITEM NO.	PART NO.	DESCRIPTION OR SIZE	QTY. REQ.
UNLESS OTHERWISE SPECIFIED			
FRACTIONS	DECIMALS	ANGLES	DRAWN
1	2	3	CHECKED
APPROVED			
USED ON			
MATERIAL			

FERMI NATIONAL ACCELERATOR LABORATORY
 UNITED STATES DEPARTMENT OF ENERGY

ACCELERATOR CONTROLS
 CAMAC 169 MODULE - MDAT RECEIVER
 SCHEMATIC RF-103A

SCALE: FILED: DRAWING NUMBER: REV.

FA 9/83 0812-ED-35626 C

FB 9/87

