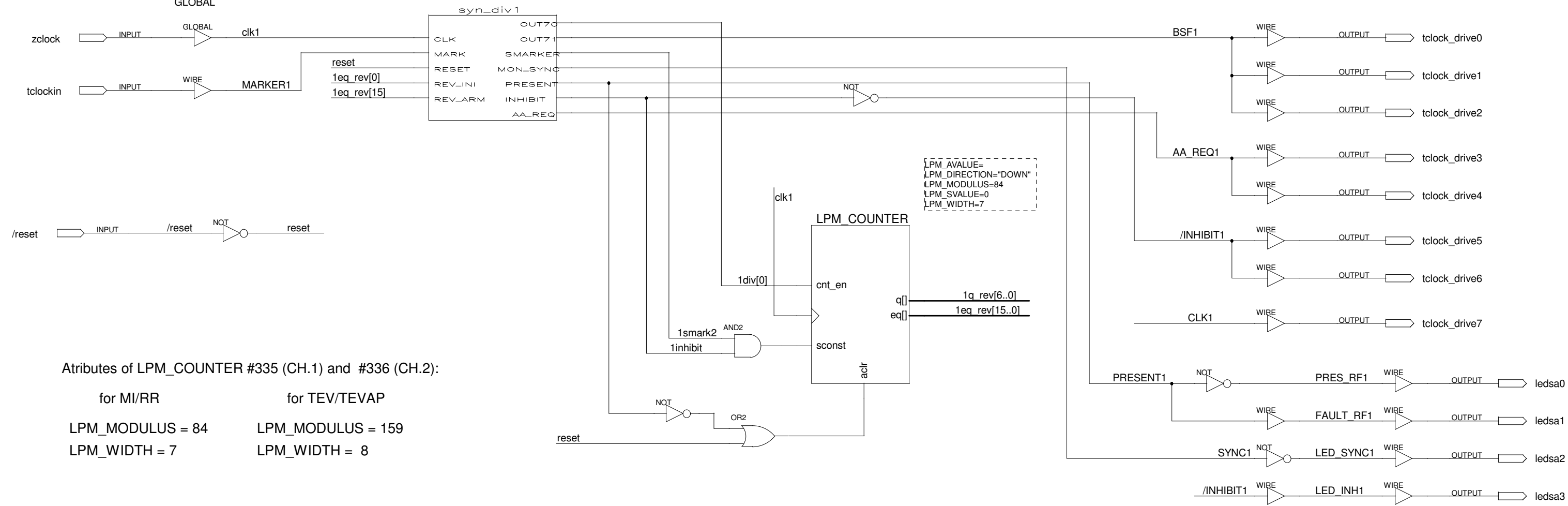


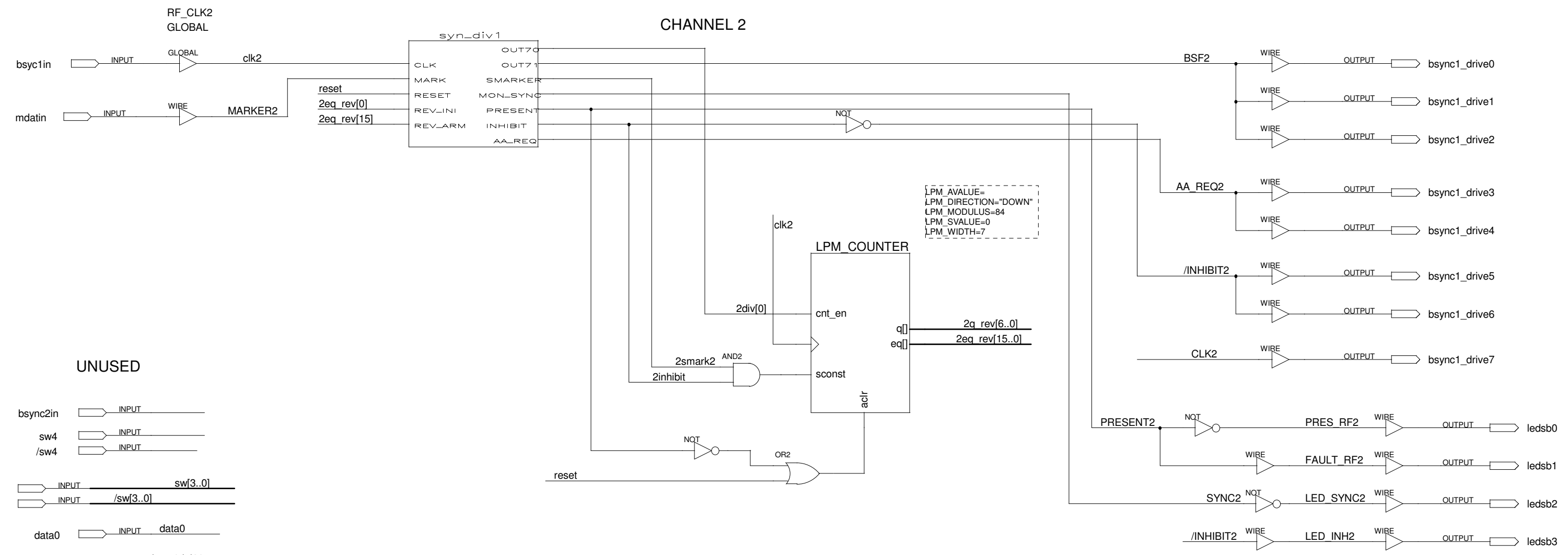
CHANNEL 1



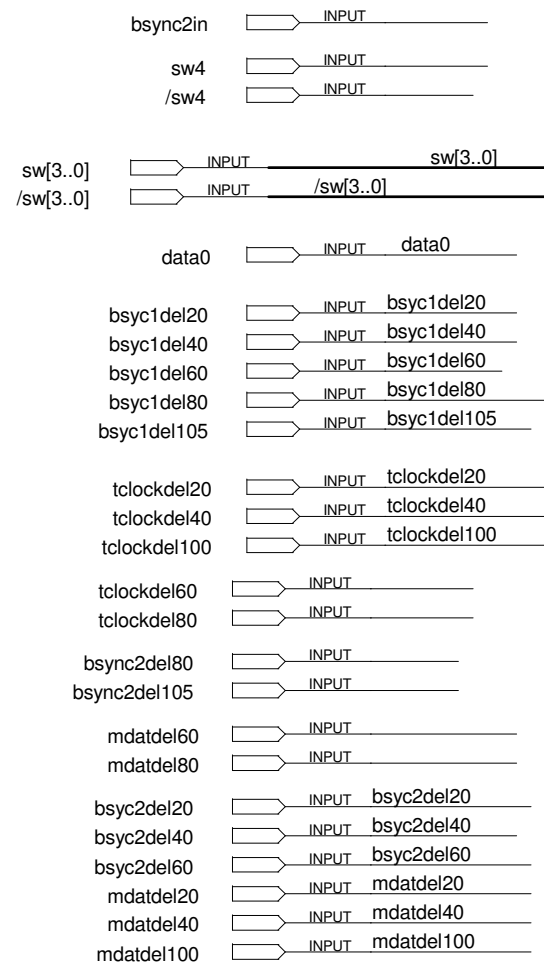
Attributes of LPM\_COUNTER #335 (CH.1) and #336 (CH.2):

for MI/RR                      for TEV/TEVAP  
 LPM\_MODULUS = 84            LPM\_MODULUS = 159  
 LPM\_WIDTH = 7                LPM\_WIDTH = 8

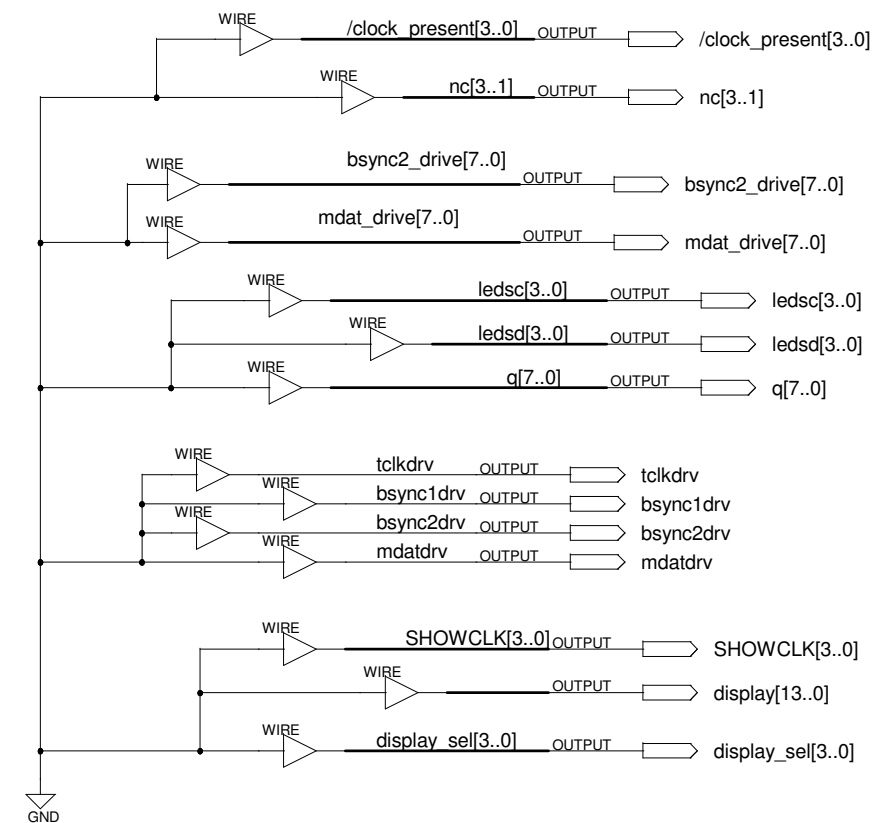
CHANNEL 2



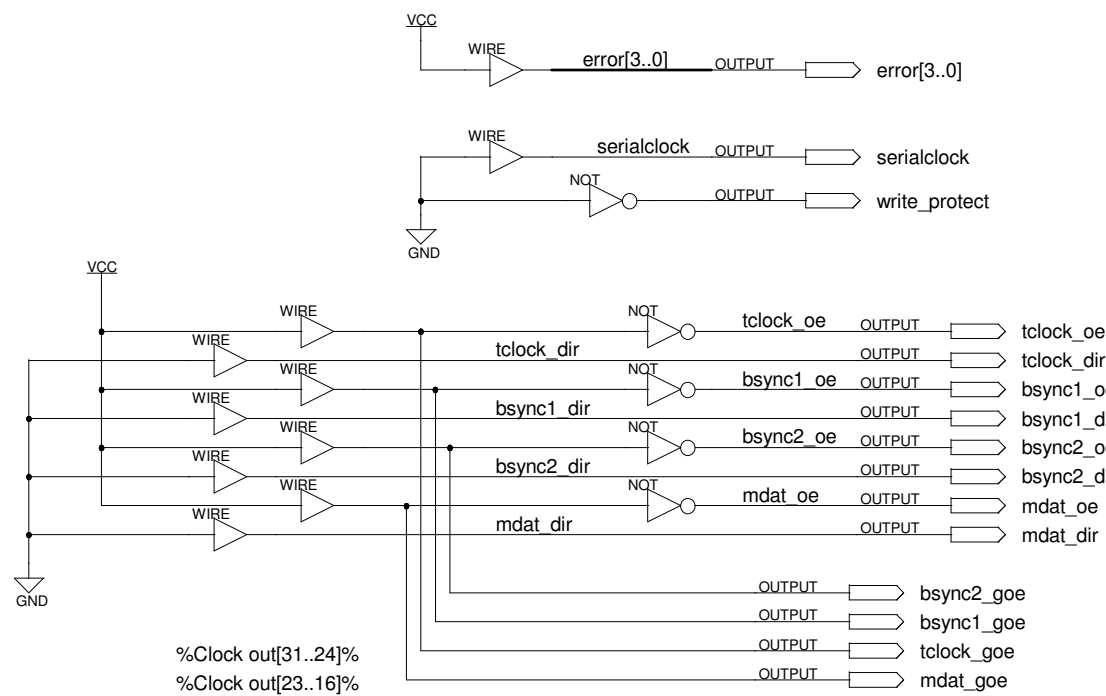
UNUSED



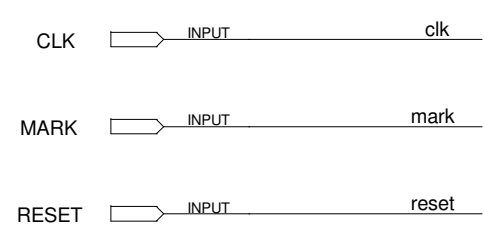
UNUSED



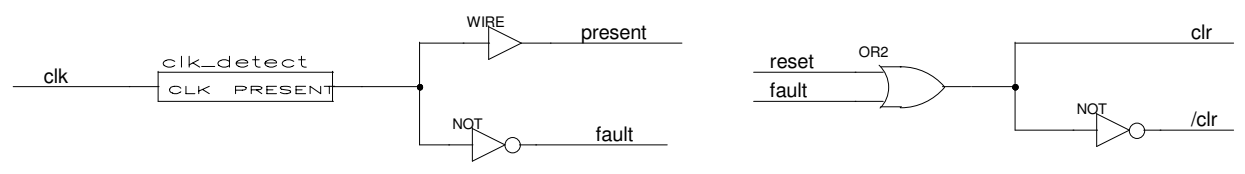
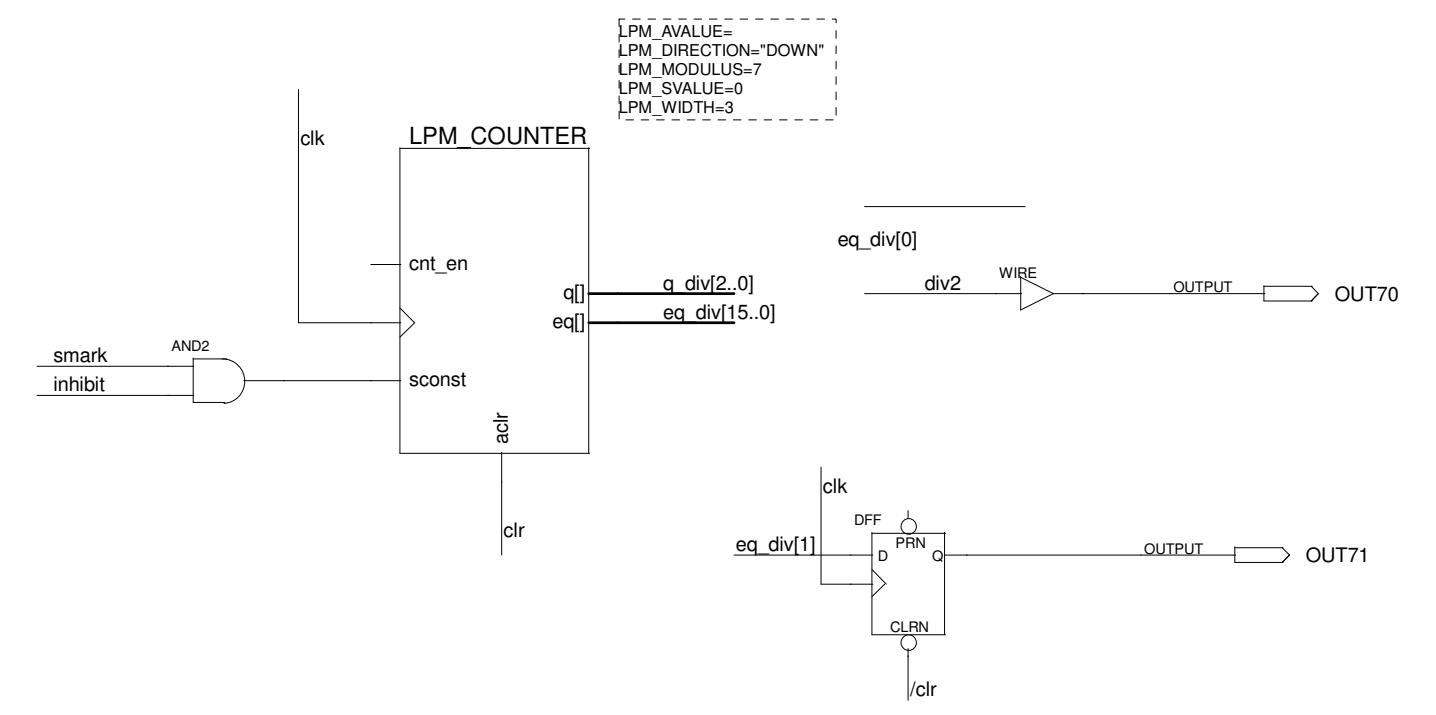
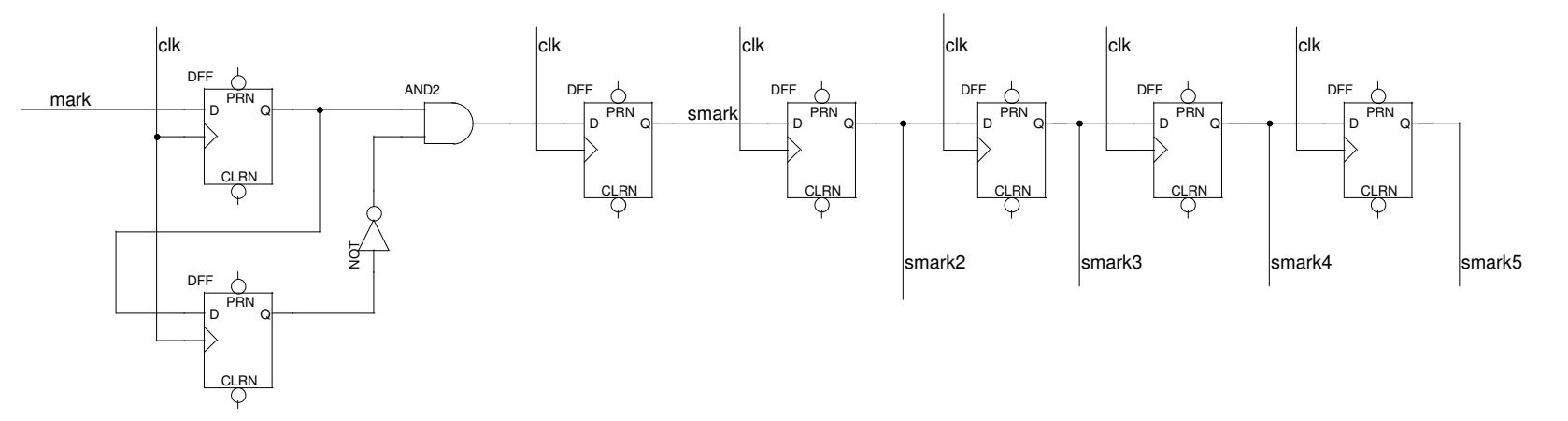
UNUSED



TITLE				RF to RF/7 Countdown			
COMPANY				Fermilab BD/Controls			
DESIGNER				V.Rytchenkov			
SIZE	E	NUMBER	1.00	REV	A		
DATE	4:13p	2-10-2000	SHEET	1	OF	1	



### 7.5 MHz GENERATOR (Sync'd by 53 MHz RF & Rev. Marker)



REVOLUTION QUALIFICATION  
One Turn =  $7 \times 5 = 35$  rfc (cycles) or  
 $7 \times 84 = 588$  rfc or  
 $7 \times 159 = 1113$  rfc

