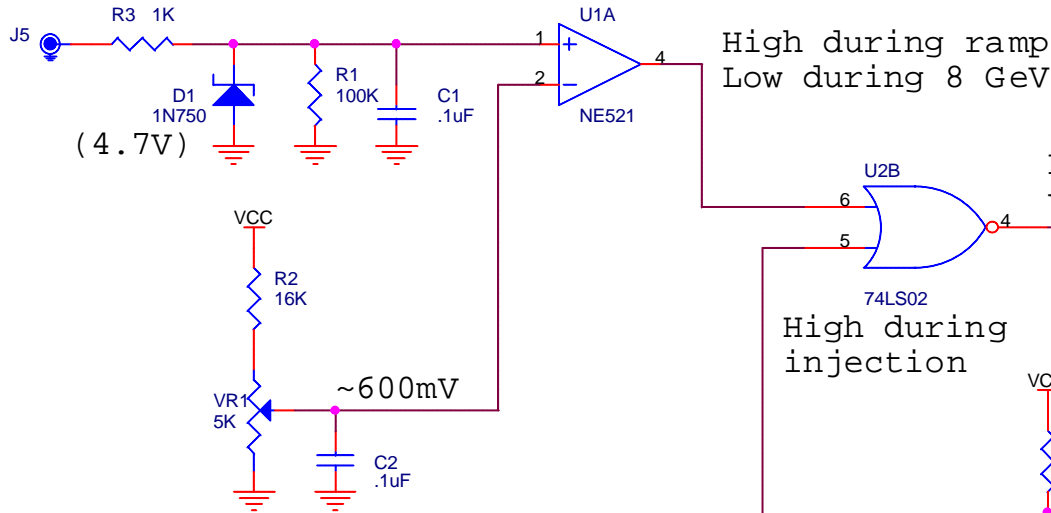


Analog out from C169



High during ramp  
Low during 8 GeV

High for  
valid data

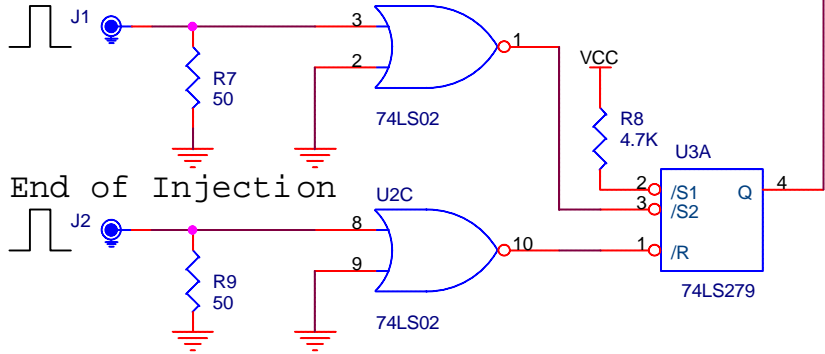
High during  
injection

LED1  
GREEN  
Enable

High for  
valid  
data

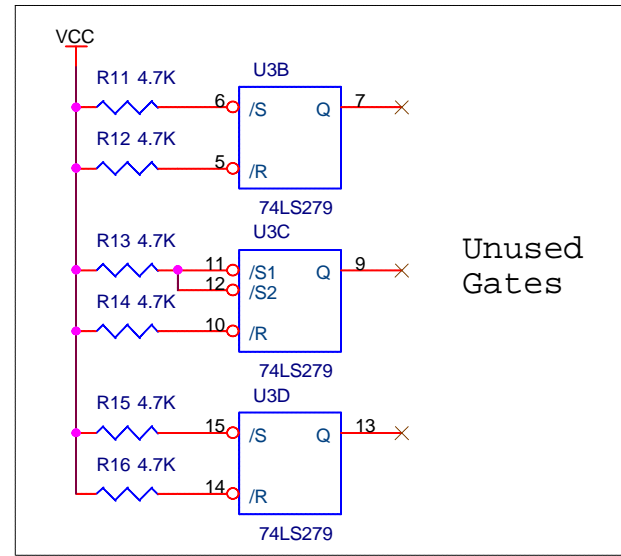
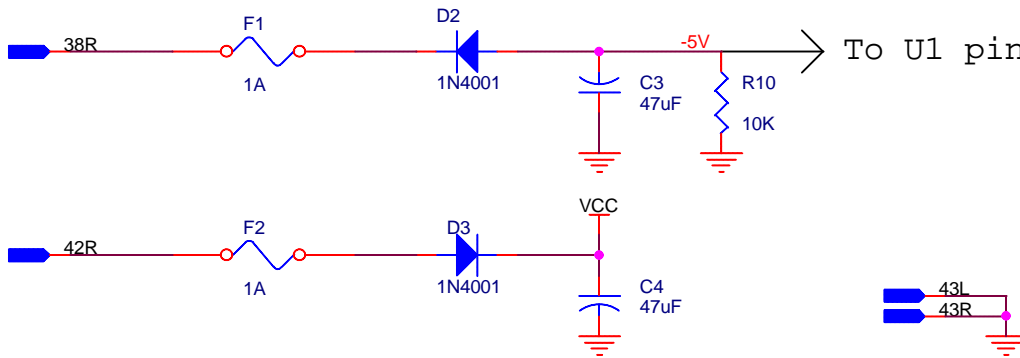
Low for  
valid  
data

Start of Injection



End of Injection

To U1 pin 13



Unused  
Gates

Title		
<b>8GeV Gate (New)</b>		
Size A	Document Number {Doc}	Rev A
Date:	Thursday, May 03, 2001	Sheet 1 of 1