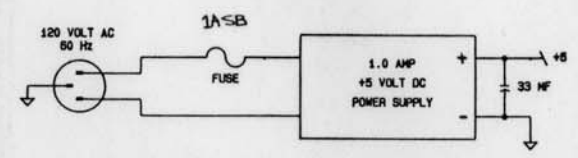
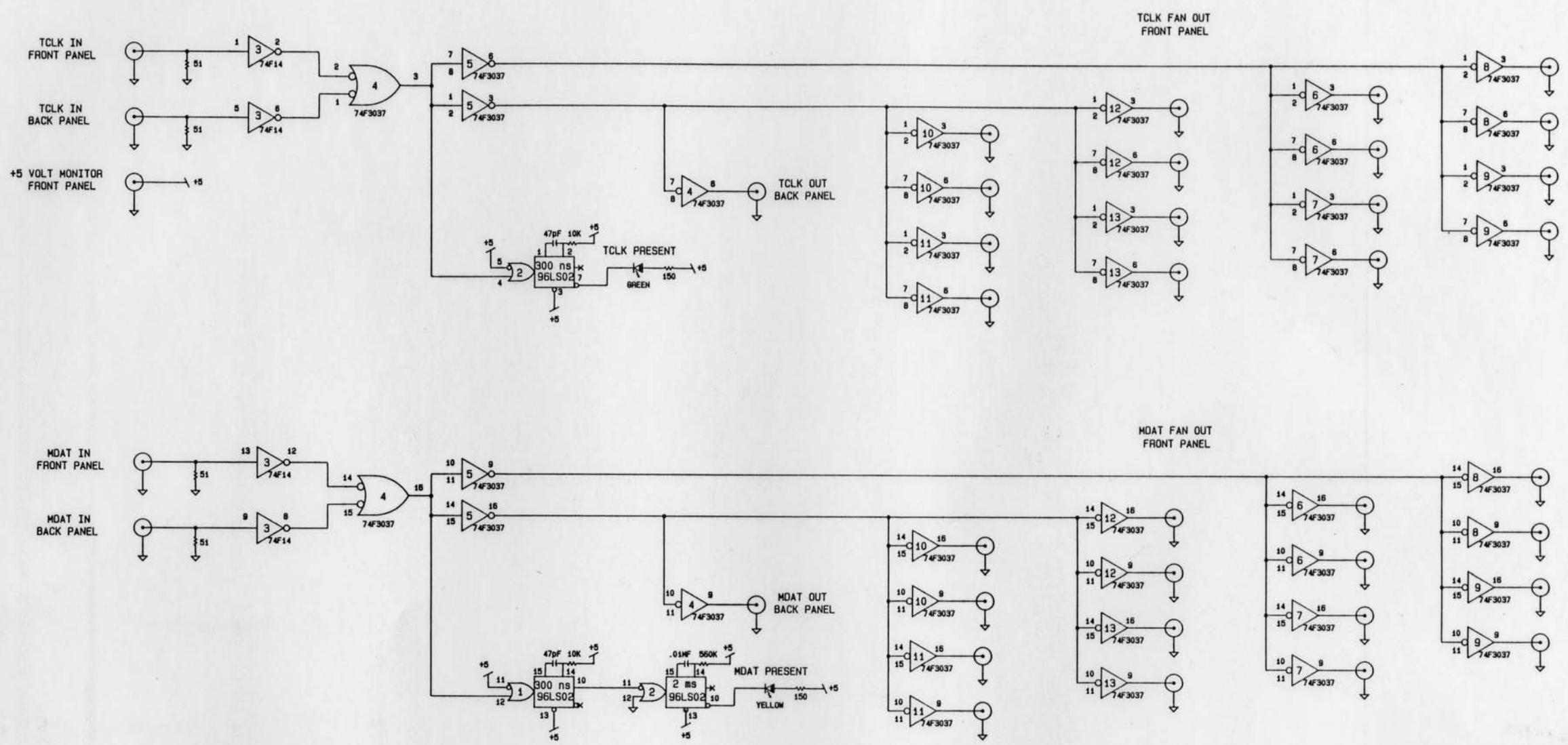



REV.	DESCRIPTION	DRAWN	DATE
		APPD.	DATE



PRINTED CIRCUIT BOARD	
TITLE	DWG NO.
SCHEMATIC	EC-218595
ARTWORK	BD-218596
MASTER DWG	BD-218597
ASSEMBLY DWG	
OUTLINE DWG	
SOLDER MASK	
SILKSCREEN	
PARTS LIST	

ITEM NO.	PART NO.	DESCRIPTION OR SIZE	QTY. REQ.
<b>PARTS LIST</b>			
UNLESS OTHERWISE SPECIFIED		ORIGINATOR	M. BRIDGES
FRACTIONS		DECIMALS	ANGLES
±	±	±	
DRAWN		CHECKED	
APPROVED		<i>R. J. ...</i>	10-9-90
1. BREAK ALL SHARP EDGES 1/64 MAX.		USED ON	
2. DO NOT SCALE DWG.		MATERIAL-	
3. DIMENSIONING IN ACCORD WITH ANSI Y14.5 STD'S.			
MAX. ALL MACHINED SURFACES			


**FERMI NATIONAL ACCELERATOR LABORATORY**  
 UNITED STATES DEPARTMENT OF ENERGY

ACCELERATOR CONTROLS  
 TCLK/MDAT FANOUT UNIT  
 SCHEMATIC RF-136

SCALE	FILMED	DRAWING NUMBER	REV.
		0818-EC-218595	