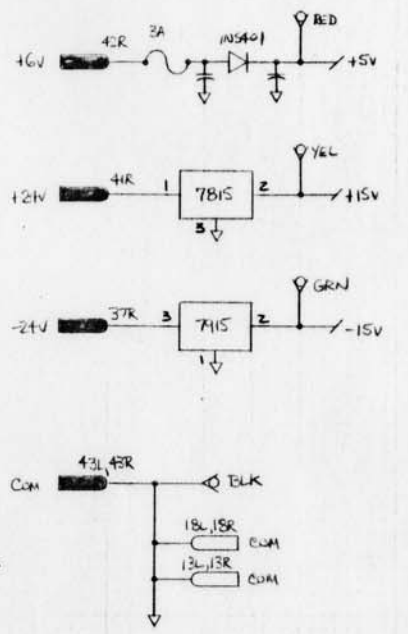
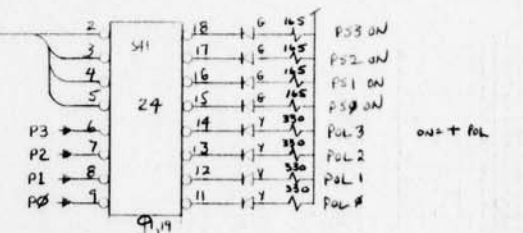


REV.	DESCRIPTION	DRAWN	DATE
APPD.			



PRINTED CIRCUIT BOARD	
TITLE	DWG NO.
SCHEMATIC	ED-35888
ARTWORK	BD-35889
MASTER DWG	BD-35890
ASSEMBLY DWG	BD-35891
OUTLINE DWG	MD-34863/A
SOLDER MASK	B
SILKSCREEN	MC-35893
PARTS LIST	BP
FRONT PANEL	MC-35892

ITEM NO.	PART NO.	DESCRIPTION OR SIZE	QTY. REQ.
PARTS LIST			
UNLESS OTHERWISE SPECIFIED		ORIGINATOR	
FRACTIONS	DECIMALS	ANGLES	DRAWN
±	±	±	CHECKED
1. BREAK ALL SHARP EDGES 1/4" MAX.		APPROVED	
2. DO NOT SCALE DWG.		USED ON	
3. DIMENSIONING IN ACCORD WITH ANSI Y14.5 STD.		MATERIAL	
✓ MAX. ALL MACHINED SURFACES			

FERMI NATIONAL ACCELERATOR LABORATORY
UNITED STATES DEPARTMENT OF ENERGY

ACCELERATOR CONTROLS RF-B7
CAMAC 052 QUAD 12BIT DAC, UNIPOLAR
SCHEMATIC

SCALE	FILMED	DRAWING NUMBER	REV.
		0812-ED-35888	