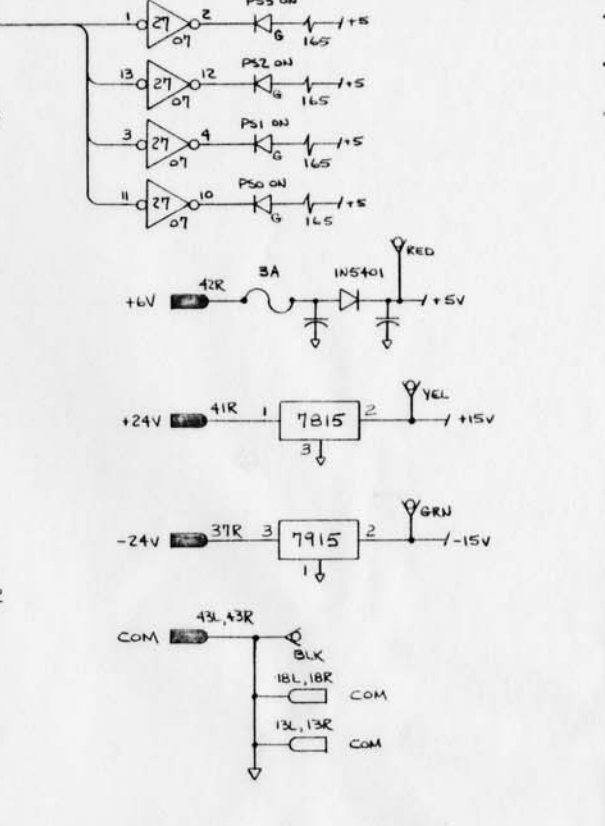
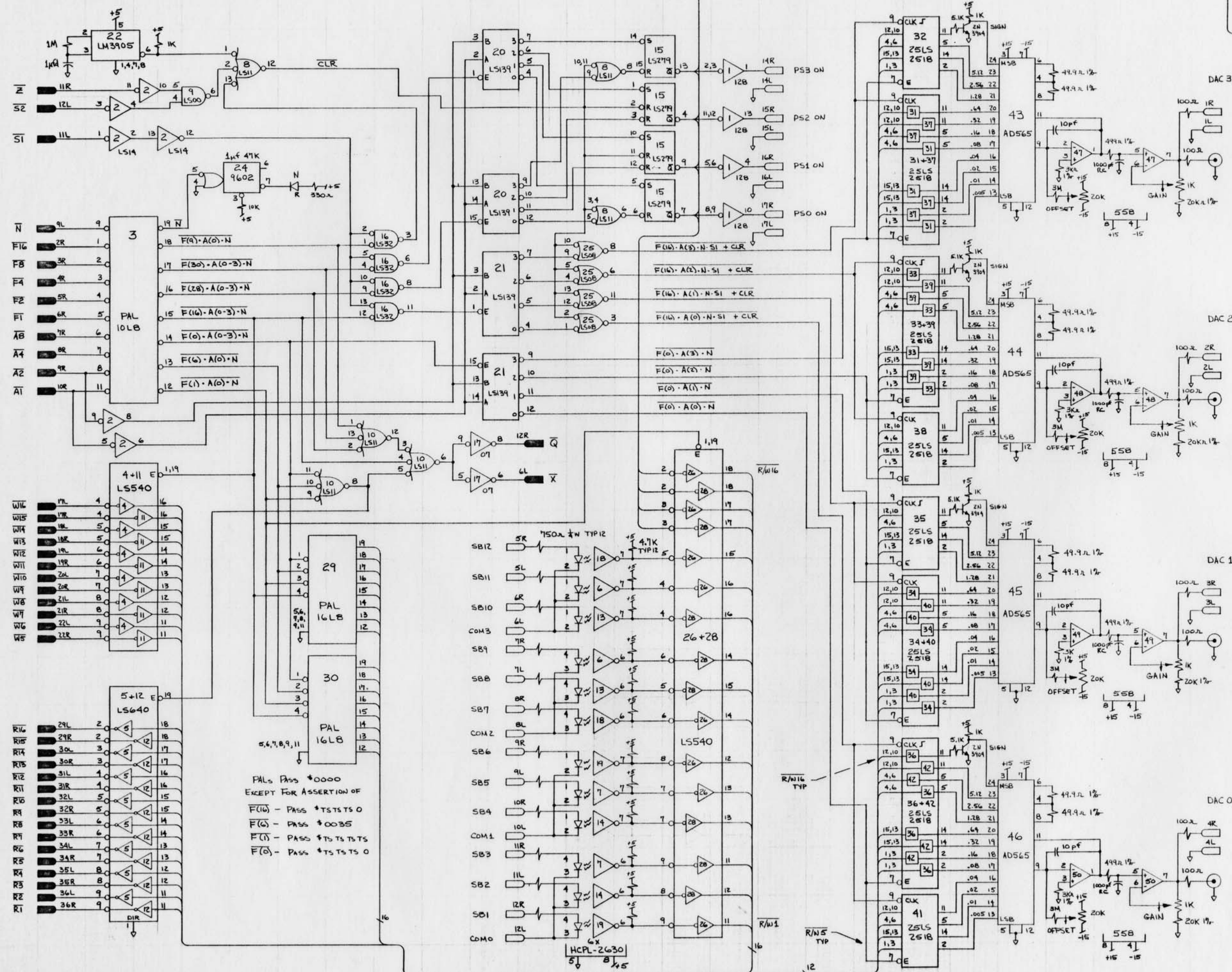


REV.	DESCRIPTION	DRAWN	DATE
A	MODIFIED ANALOG SECTION, ADDED NOTE	R/DUCAR	9-6-82



NOTES:
 1. 825153 FPLAs MAY BE USED AT LOCATIONS 3, 29, AND 30.

PRINTED CIRCUIT BOARD	
TITLE	DWG NO.
SCHEMATIC	ED-35541
RAWBOARD	BD-35542
MASTER DWG	BD-35543
ASSEMBLY DWG	BD-35544
OUTLINE DWG	B
PRINTS LIST	BP
FRONT PANEL MC-35564	

ITEM NO.	PART NO.	DESCRIPTION OR SIZE	QTY. REQ.
PARTS LIST			
UNLESS OTHERWISE SPECIFIED		ORIGINATOR	R. DUCAR
FRACTIONS DECIMALS ANGLES		DRAWN	9-22-82
1. BREAK ALL SHARP EDGES 1/4 MAX.		CHECKED	
2. DO NOT SCALE DWG.		APPROVED	<i>R. Ducar</i> 10/4/82
3. DIMENSIONING IN ACCORD WITH ANSI Y14.5 STD'S.		USED ON	
MAX. ALL MACHINED SURFACES		MATERIAL	
FERMI NATIONAL ACCELERATOR LABORATORY UNITED STATES DEPARTMENT OF ENERGY			
ACCELERATOR CONTROLS CAMAC 053-QUAD BIPOLAR DAC/PS CONTROLLER			
SCHEMATIC RF-88			
SCALE	FILMED	DRAWING NUMBER	REV.
		0812-ED-35541	A