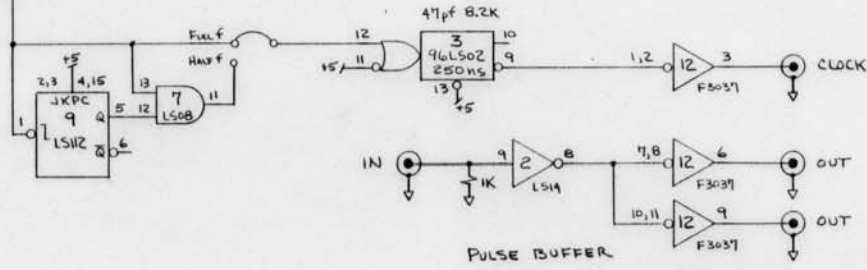
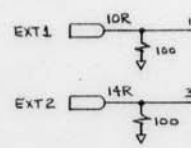
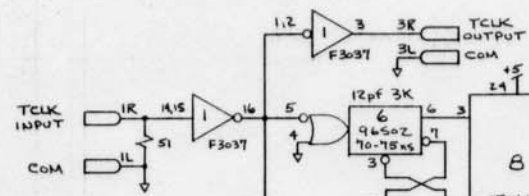
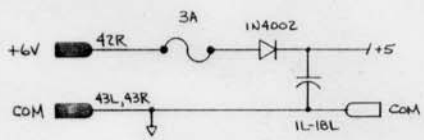
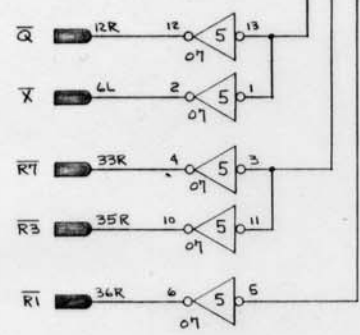
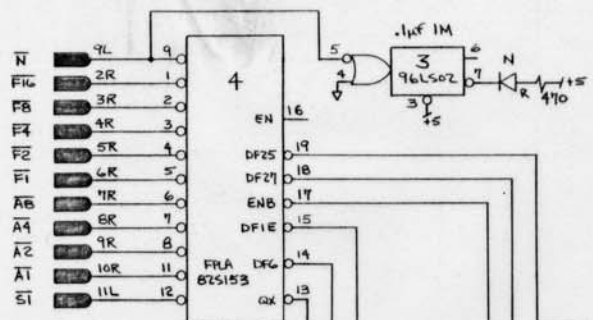


REV.	DESCRIPTION	DRAWN	DATE
		APPD.	DATE



ITEM NO.	PART NO.	DESCRIPTION OR SIZE	QTY. REQ.
PARTS LIST			
UNLESS OTHERWISE SPECIFIED		ORIGINATOR	K. DUCAR
FRACTIONS DECIMALS ANGLES		DRAWN	
±	±	CHECKED	
1. BREAK ALL SHARP EDGES 1/64 MAX.		APPROVED	RJ Ducar
2. DO NOT SCALE DWG.		USED ON	
3. DIMENSIONING IN ACCORD WITH ANSI Y14.5 STD.		MATERIAL	
✓ MAX. ALL MACHINED SURFACES			
FERMI NATIONAL ACCELERATOR LABORATORY UNITED STATES DEPARTMENT OF ENERGY			
ACCELERATOR CONTROLS CAMAC 068 - TCLK PROCESSOR FOR 070/071 SCHEMATIC RF-116			
SCALE	FILMED	DRAWING NUMBER	REV.
		0812-EC-218065	

PRINTED CIRCUIT BOARD	
TITLE	DWG NO.
SCHEMATIC	EC-218065
ARTWORK	BD-218093
MASTER DWG	BD-218094
ASSEMBLY DWG	
OUTLINE DWG	MD-34863
SOLDER MASK	
SILKSCREEN (FP)	MC-218096
PARTS LIST	BP
FRONT PANEL	MC-218095