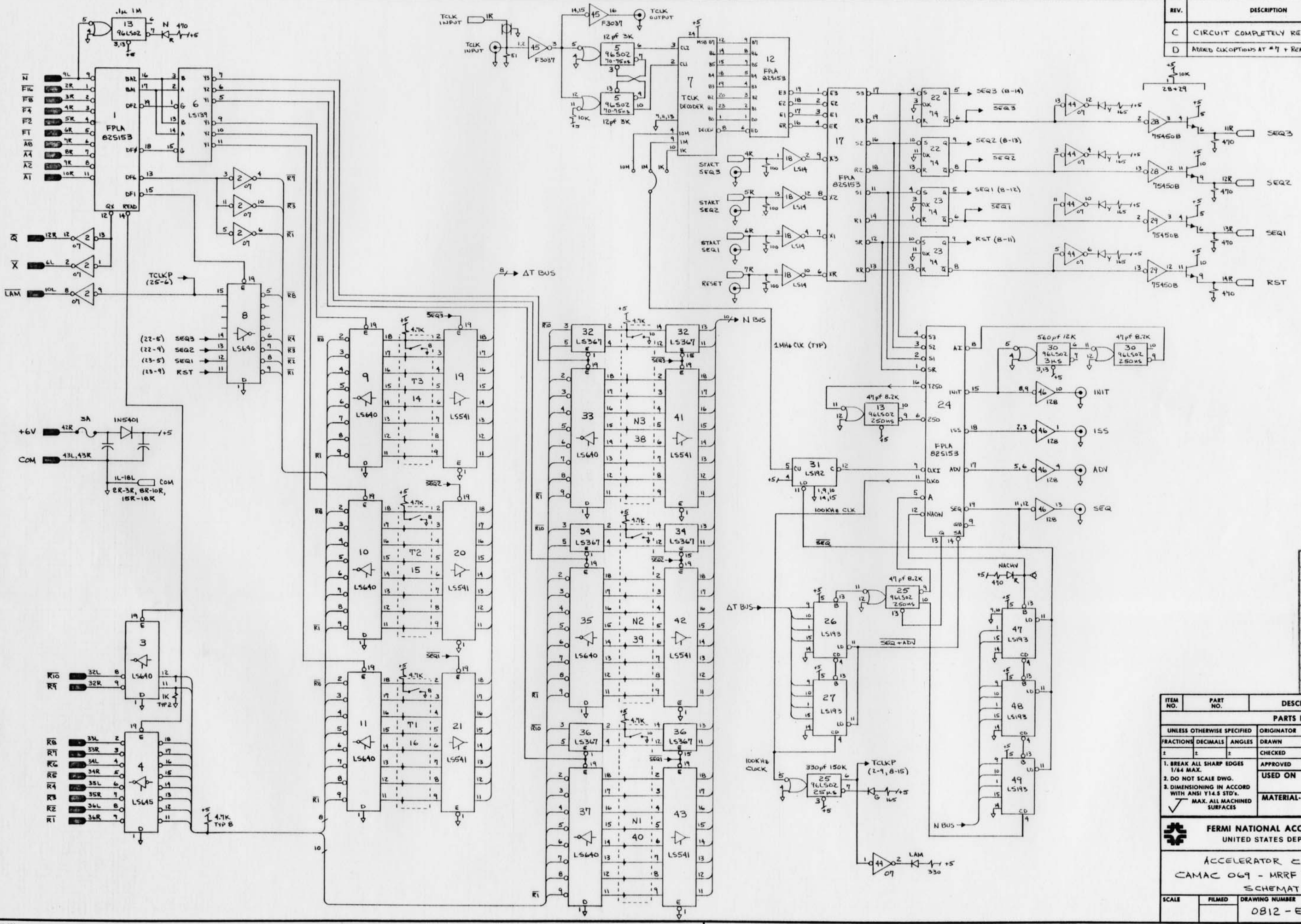


REV.	DESCRIPTION	APPD.	DATE
C	CIRCUIT COMPLETELY REDESIGNED	RJDucar	5-17-85
D	ADDED CLK OPTIONS AT #7 + REAR TCLK INPUT	RJDucar	10-31-85



PRINTED CIRCUIT BOARD	
TITLE	DWG NO
SCHEMATIC	ED-35824
ARTWORK	BD-218031
MASTER DWG	BD-218032
ASSEMBLY DWG	BD-218033
OUTLINE DWG	MD-34863
SOLDER MASK	S
SILKSCREEN (FP)	MC-35826
PARTS LIST	BP
FRONT PANEL	MC-35825

ITEM NO.	PART NO.	DESCRIPTION OR SIZE	QTY. REQ.
PARTS LIST			
UNLESS OTHERWISE SPECIFIED		ORIGINATOR	R. DUCAR
FRACTIONS DECIMALS ANGLES		DRAWN	
±	±	±	CHECKED
1. BREAK ALL SHARP EDGES 1/4 MAX.		APPROVED	RJDucar
2. DO NOT SCALE DWG.		USED ON	5-17-85
3. DIMENSIONING IN ACCORD WITH ANSI Y14.5 STD.		MATERIAL	
✓ MAX. ALL MACHINED SURFACES			

FERMI NATIONAL ACCELERATOR LABORATORY
UNITED STATES DEPARTMENT OF ENERGY

ACCELERATOR CONTROLS
CAMAC 069 - MRRF TIMING PROCESSOR

SCHEMATIC RF-113A

SCALE	FILMED	DRAWING NUMBER	REV.
		0812-ED-35824	D