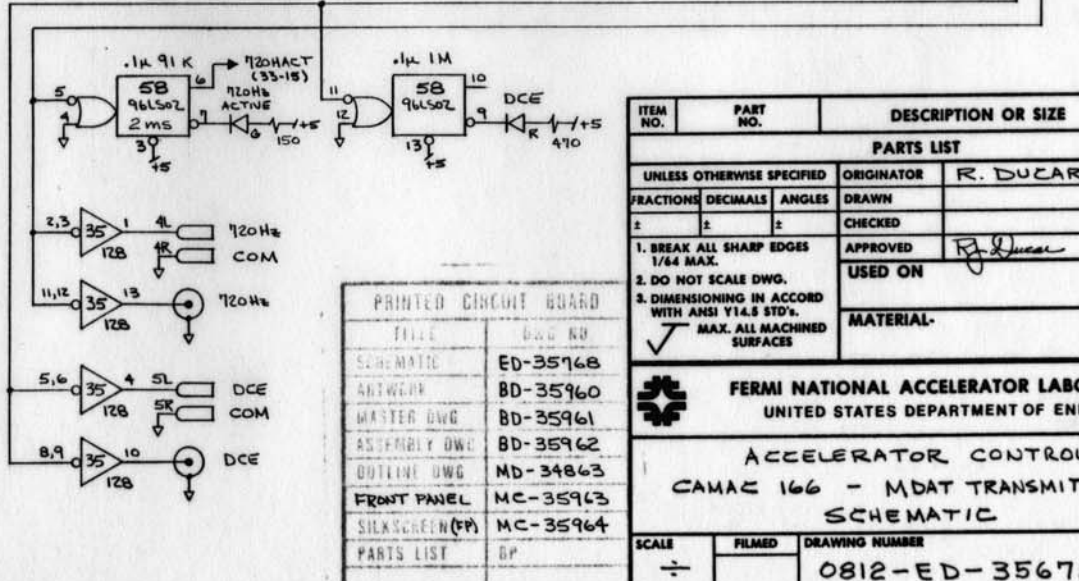
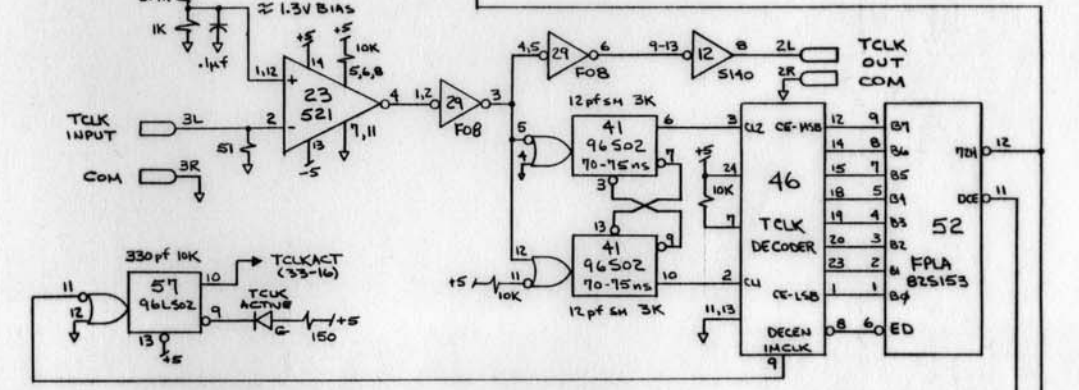
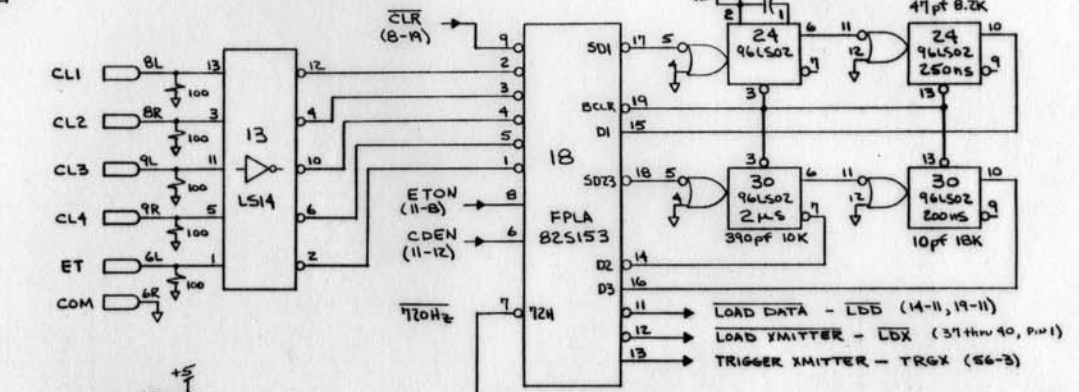
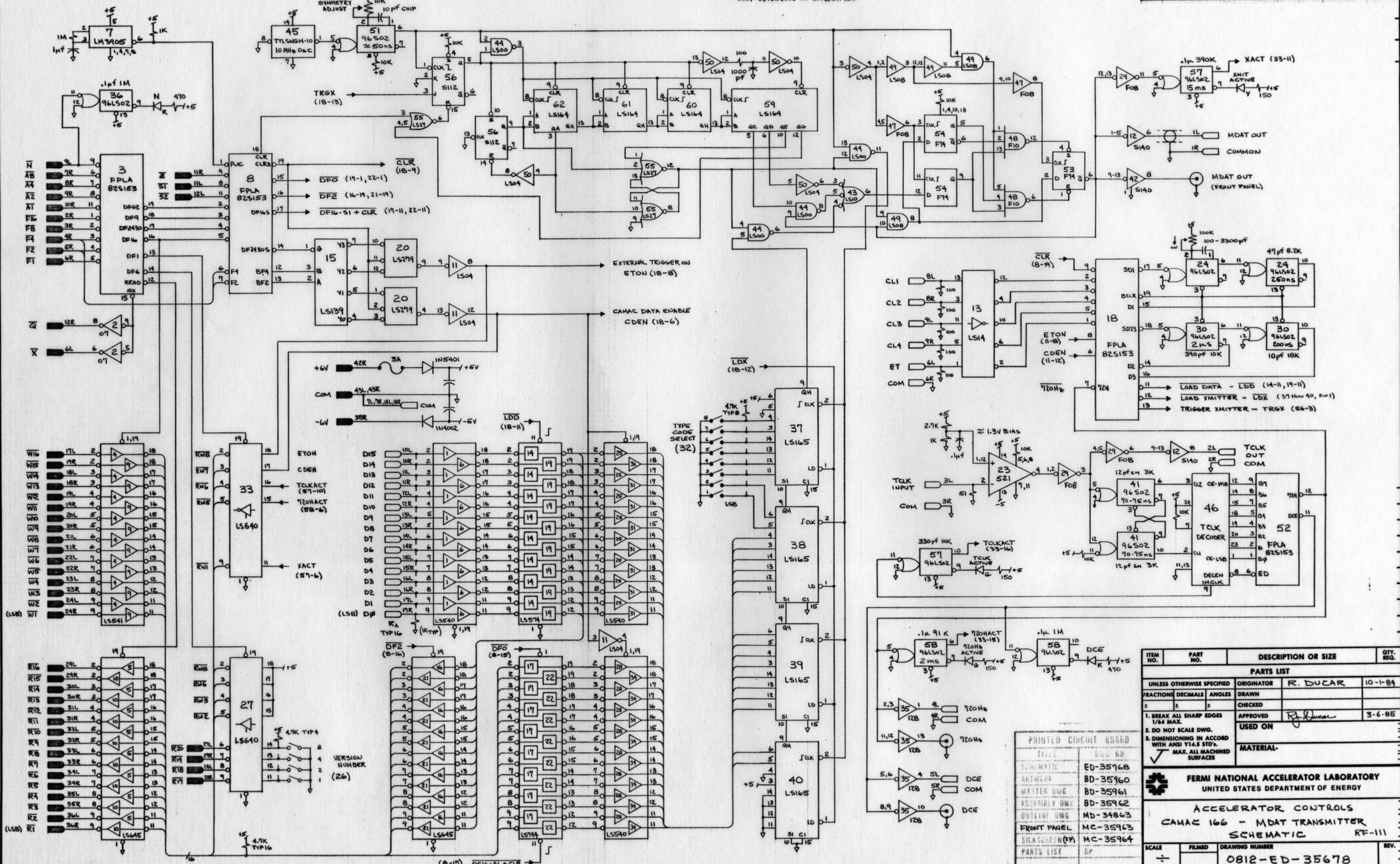


NOTE: PART VALUES AT IC = 13, 24, +30 MM VARY DEPENDING ON APPLICATION.



ITEM NO.	PART NO.	DESCRIPTION OR SIZE	QTY. REQ.
PARTS LIST			
UNLESS OTHERWISE SPECIFIED		ORIGINATOR	R. DUCAR
FRACTIONS DECIMALS ANGLES		DRAWN	
1	2	3	CHECKED
1. BREAK ALL SHARP EDGES 1/64 MAX.		APPROVED	<i>[Signature]</i>
2. DO NOT SCALE DWG.		USED ON	
3. DIMENSIONING IN ACCORD WITH ANSI Y14.5 STD'S.		MATERIAL	
✓ MAX. ALL MACHINED SURFACES			
<b>FERMI NATIONAL ACCELERATOR LABORATORY</b> UNITED STATES DEPARTMENT OF ENERGY			
<b>ACCELERATOR CONTROLS</b> <b>CAMAC 166 - MDAT TRANSMITTER</b> <b>SCHEMATIC</b> RF-111			
SCALE	FILMED	DRAWING NUMBER	REV.
÷		0812-ED-35678	

PRINTED CIRCUIT BOARD	
FILE	DWG NO
SCHEMATIC	ED-35768
ANTWERP	BD-35960
MASTER DWG	BD-35961
ASSEMBLY DWG	BD-35962
OUTLINE DWG	MD-34863
FRONT PANEL	MC-35963
SILKSCREEN (FP)	MC-35964
PARTS LIST	DP