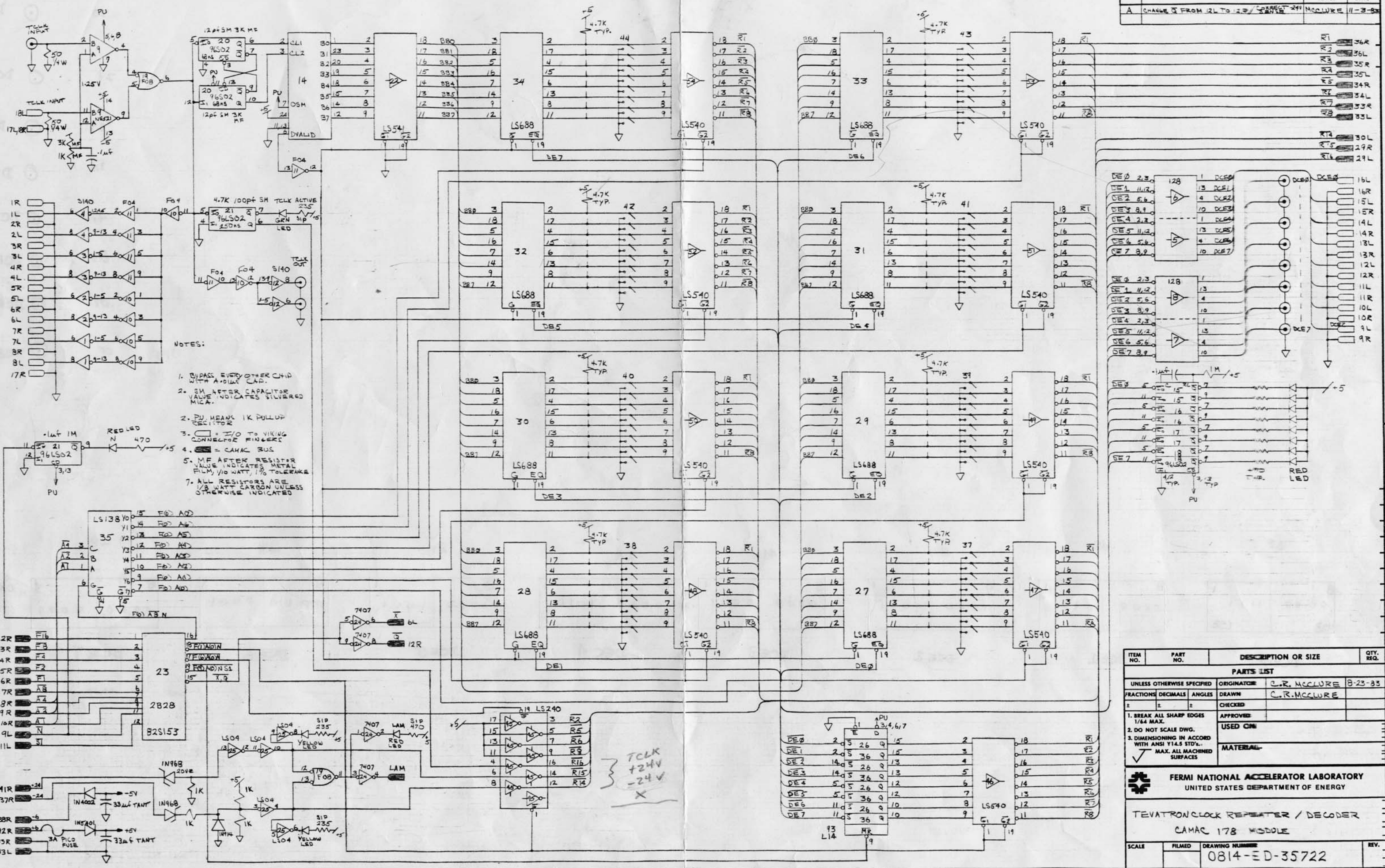


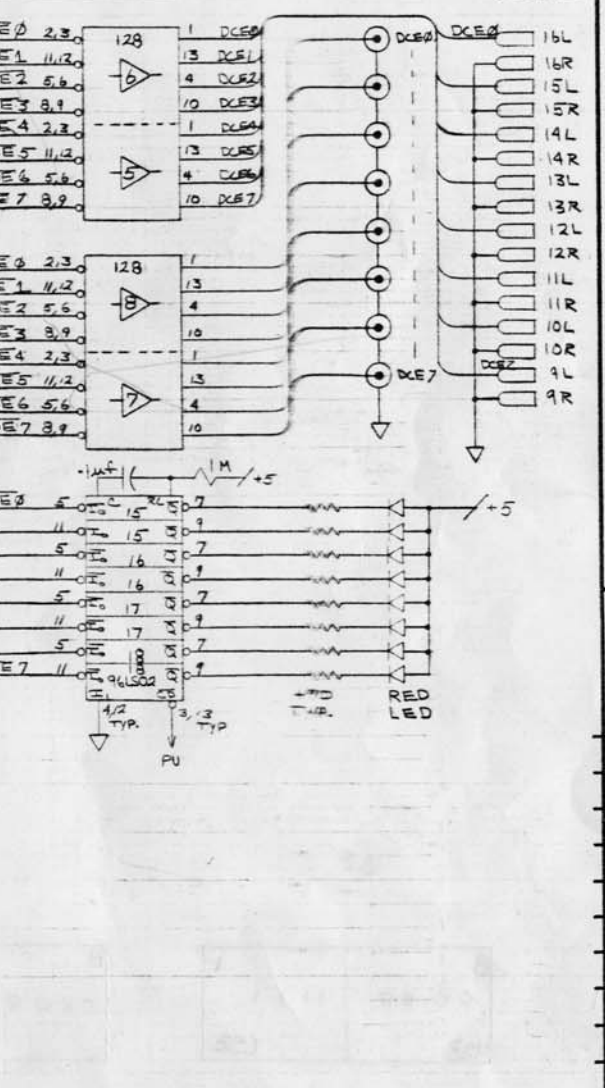
2015



- NOTES:
1. BYPASS EVERY OTHER CHIP WITH A .001UF CAP.
 2. SM AFTER CAPACITOR VALUE INDICATES SILVERED MICAS.
 3. I/O TO VIKING CONNECTOR PINS 6&7
 4. = CAMAC BUS
 5. MF AFTER RESISTOR VALUE INDICATES METAL FILM, VIO WATT, 1% TOLERANCE
 7. ALL RESISTORS ARE 1/8 WATT CARBON UNLESS OTHERWISE INDICATED

REV.	DESCRIPTION	DRAWN	DATE
A	CHANGE Q FROM 12L TO 12P / CORRECT 24V TALK	MCCLURE	11-3-83

ITEM NO.	PART NO.	DESCRIPTION OR SIZE	QTY. REQ.
PARTS LIST			
UNLESS OTHERWISE SPECIFIED		ORIGINATOR	C.R. MCCLURE B-23-83
FRACTIONS	DECIMALS	ANGLES	DRAWN
±	±	±	C.R. MCCLURE
1. BREAK ALL SHARP EDGES 1/64 MAX.		APPROVED	
2. DO NOT SCALE DWG.		USED CIR	
3. DIMENSIONING IN ACCORD WITH ANSI Y14.5 STD.		MATERIAL	
MAX. ALL MACHINED SURFACES			



ITEM NO.	PART NO.	DESCRIPTION OR SIZE	QTY. REQ.
PARTS LIST			
UNLESS OTHERWISE SPECIFIED		ORIGINATOR	C.R. MCCLURE B-23-83
FRACTIONS	DECIMALS	ANGLES	DRAWN
±	±	±	C.R. MCCLURE
1. BREAK ALL SHARP EDGES 1/64 MAX.		APPROVED	
2. DO NOT SCALE DWG.		USED CIR	
3. DIMENSIONING IN ACCORD WITH ANSI Y14.5 STD.		MATERIAL	
MAX. ALL MACHINED SURFACES			
FERMI NATIONAL ACCELERATOR LABORATORY UNITED STATES DEPARTMENT OF ENERGY			
TEVATRON CLOCK REPEATER / DECODER CAMAC 178 MODULE			
SCALE	FILMED	DRAWING NUMBER	REV.
		0814-ED-35722	

TALK +24V -24V X