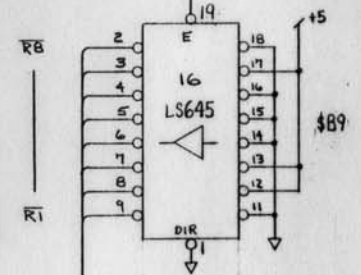
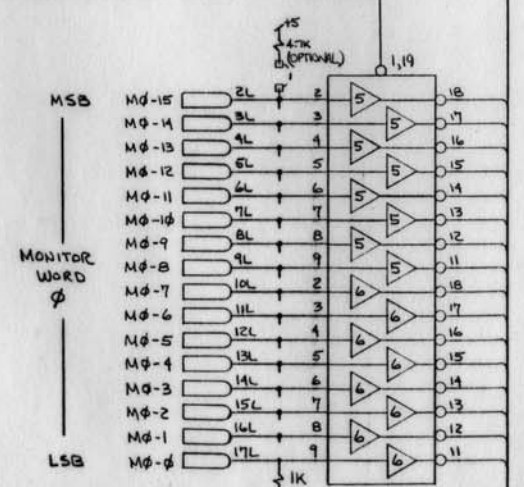
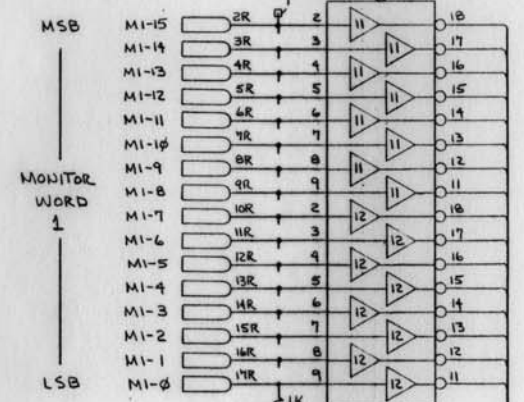


NOTES:
 FOR ACTIVE LOW PULSE OUTPUTS, REMOVE 74F303T FROM LOCATIONS 13 AND/OR 20, INSTALL 7546 AT LOCATIONS 7 AND/OR 19. INSTALL OUTPUT PULL-UPS AS DESIRED.
 FOR ACTIVE LOW MONITOR INPUTS, SUBSTITUTE 74LS641 FOR ICs AT LOCATIONS 5, 6, 11, -12, CHANGE PULL-DOWNS TO PULL-UPS.



ITEM NO.	PART NO.	DESCRIPTION OR SIZE	QTY. REQ.
PARTS LIST			
UNLESS OTHERWISE SPECIFIED		ORIGINATOR	R. CROUCH
FRACTIONS DECIMALS ANGLES		DRAWN	
1	2	CHECKED	
1. BREAK ALL SHARP EDGES 1/64 MAX.		APPROVED	<i>[Signature]</i>
2. DO NOT SCALE DWG.		USED ON	12-2-86
3. DIMENSIONING IN ACCORD WITH ANSI Y14.5 STD'S.		MATERIAL-	
MAX. ALL MACHINED SURFACES			
FERMI NATIONAL ACCELERATOR LABORATORY UNITED STATES DEPARTMENT OF ENERGY			
ACCELERATOR CONTROLS CAMAC 185 - 32 BIT DIGITAL INPUT SCHEMATIC RF-123			
SCALE	FILMED	DRAWING NUMBER	REV.
		0812-ED-218122	

ED-218122
BD-218123
BO-218124
MD-34863
FP MC-218125
FRONT PANEL MC-218102