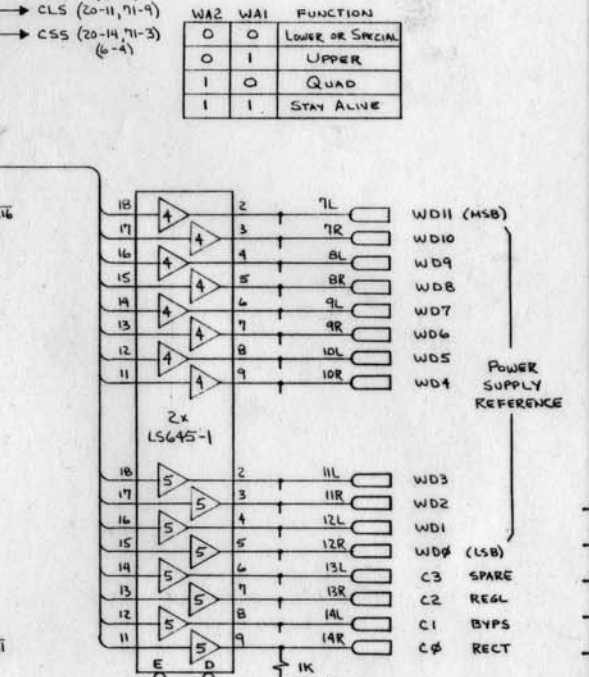
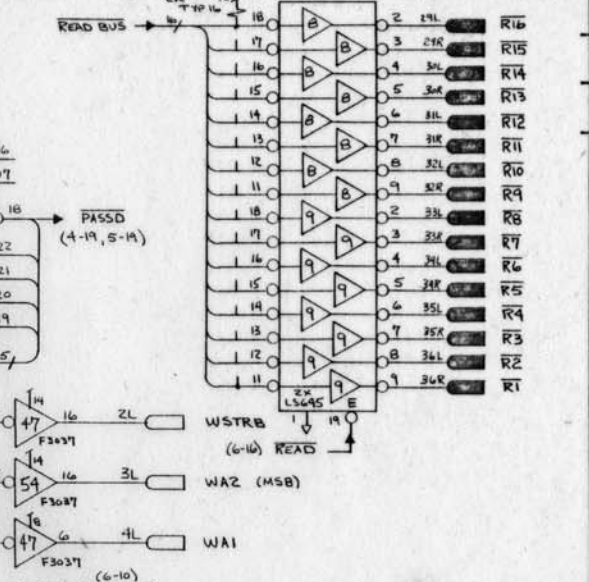


REV.	DESCRIPTION	DRAWN	DATE
APPD.			



ITEM NO.	PART NO.	DESCRIPTION OR SIZE	QTY. REQ.
		FRONT PANEL	
		MC-218530	
		FRONT PANEL SS	
		MD-218531	

PARTS LIST			
UNLESS OTHERWISE SPECIFIED	ORIGINATOR	R. DUCAR	5-10-89
FRACTIONS	DECIMALS	ANGLES	DRAWN
±	±	±	REV A
±	±	±	CHECKED
±	±	±	APPROVED
±	±	±	USED ON
±	±	±	MATERIAL
±	±	±	2-9-90

FERMI NATIONAL ACCELERATOR LABORATORY
 UNITED STATES DEPARTMENT OF ENERGY
ACCELERATOR CONTROLS
CAMAC 269 MODULE - MRPSL RECEIVER
SCHEMATIC
 RF-132
 SCALE: FILMED DRAWING NUMBER: 0812-ED-218527 REV. A