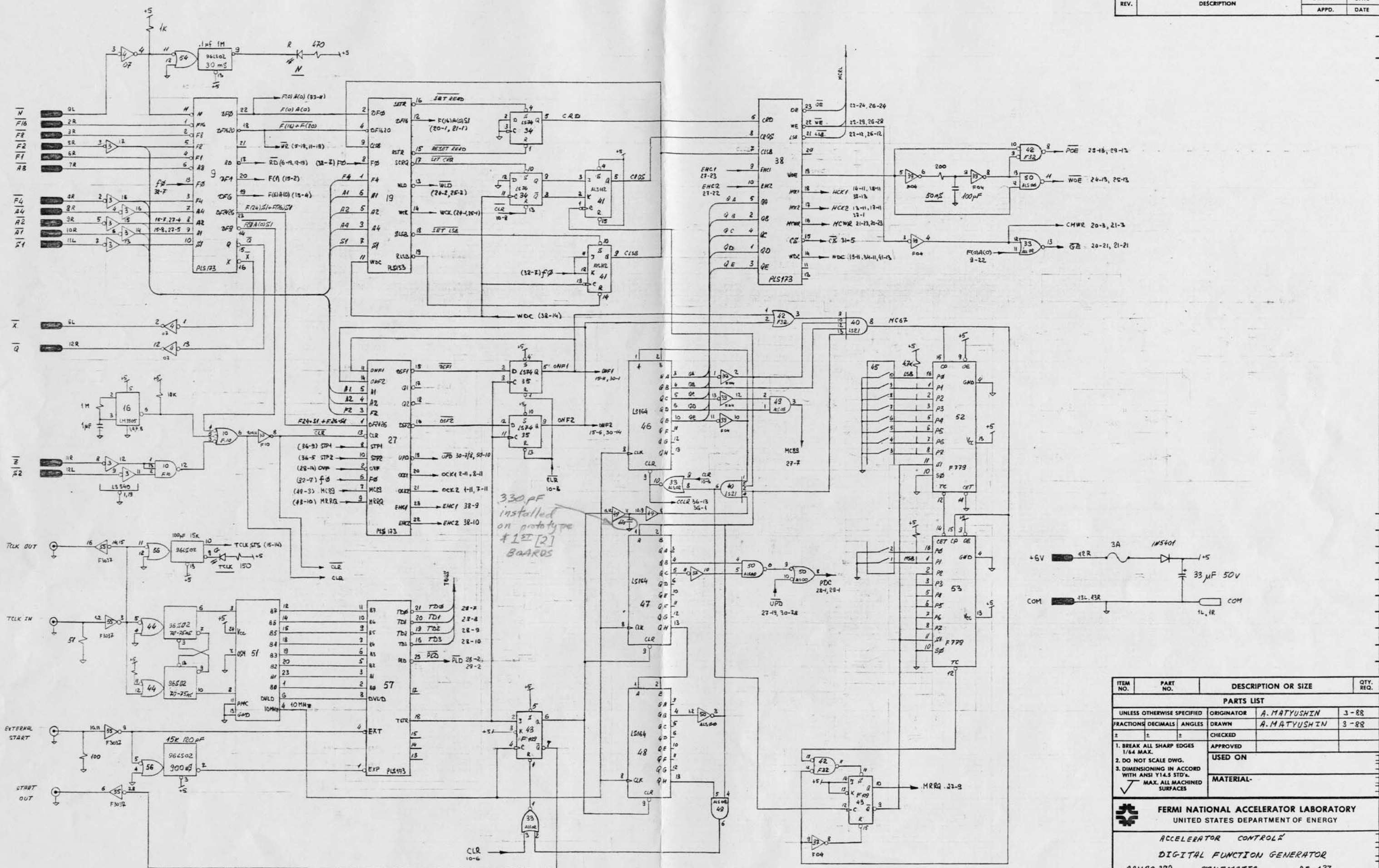
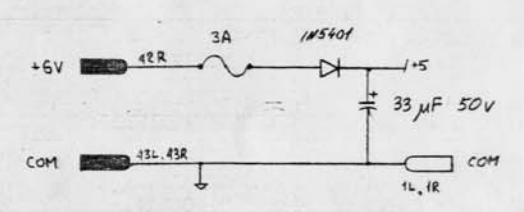


ITEM NO.	PART NO.	DESCRIPTION OR SIZE	QTY. REQ.
PARTS LIST			
UNLESS OTHERWISE SPECIFIED		ORIGINATOR	A. MATYUSHIN 3-88
FRACTIONS	DECIMALS	ANGLES	DRAWN A. MATYUSHIN 3-88
±	±	±	CHECKED
1. BREAK ALL SHARP EDGES 1/64 MAX.		APPROVED	
2. DO NOT SCALE DWG.		USED ON	
3. DIMENSIONING IN ACCORD WITH ANSI Y14.5 STD.		MATERIAL-	
✓ MAX. ALL MACHINED SURFACES			
FERMI NATIONAL ACCELERATOR LABORATORY UNITED STATES DEPARTMENT OF ENERGY			
ACCELERATOR CONTROLS DIGITAL FUNCTION GENERATOR CAMAC 372 SCHEMATIC RF-127			
SCALE	FILMED	DRAWING NUMBER	REV.
		0812-ED-218425	SHEET 1 OF 2



330 pF installed on prototype #121 [2] BOARDS



ITEM NO.	PART NO.	DESCRIPTION OR SIZE	QTY. REQ.
PARTS LIST			
UNLESS OTHERWISE SPECIFIED		ORIGINATOR	A. MATYUSHIN 3-88
FRACTIONS	DECIMALS	ANGLES	DRAWN A. MATYUSHIN 3-88
1.	2.	3.	CHECKED
1. BREAK ALL SHARP EDGES 1/64 MAX.			APPROVED
2. DO NOT SCALE DWG.			USED ON
3. DIMENSIONING IN ACCORD WITH ANSI Y14.5 STD.			MATERIAL-
MAX. ALL MACHINED SURFACES			
FERMI NATIONAL ACCELERATOR LABORATORY UNITED STATES DEPARTMENT OF ENERGY			
ACCELERATOR CONTROL			
DIGITAL FUNCTION GENERATOR			
CAHAC 372		SCHEMATIC RF-127	
SCALE	FILMED	DRAWING NUMBER	REV.
		OR12-ED-218425	SHEET 2 OF 2