
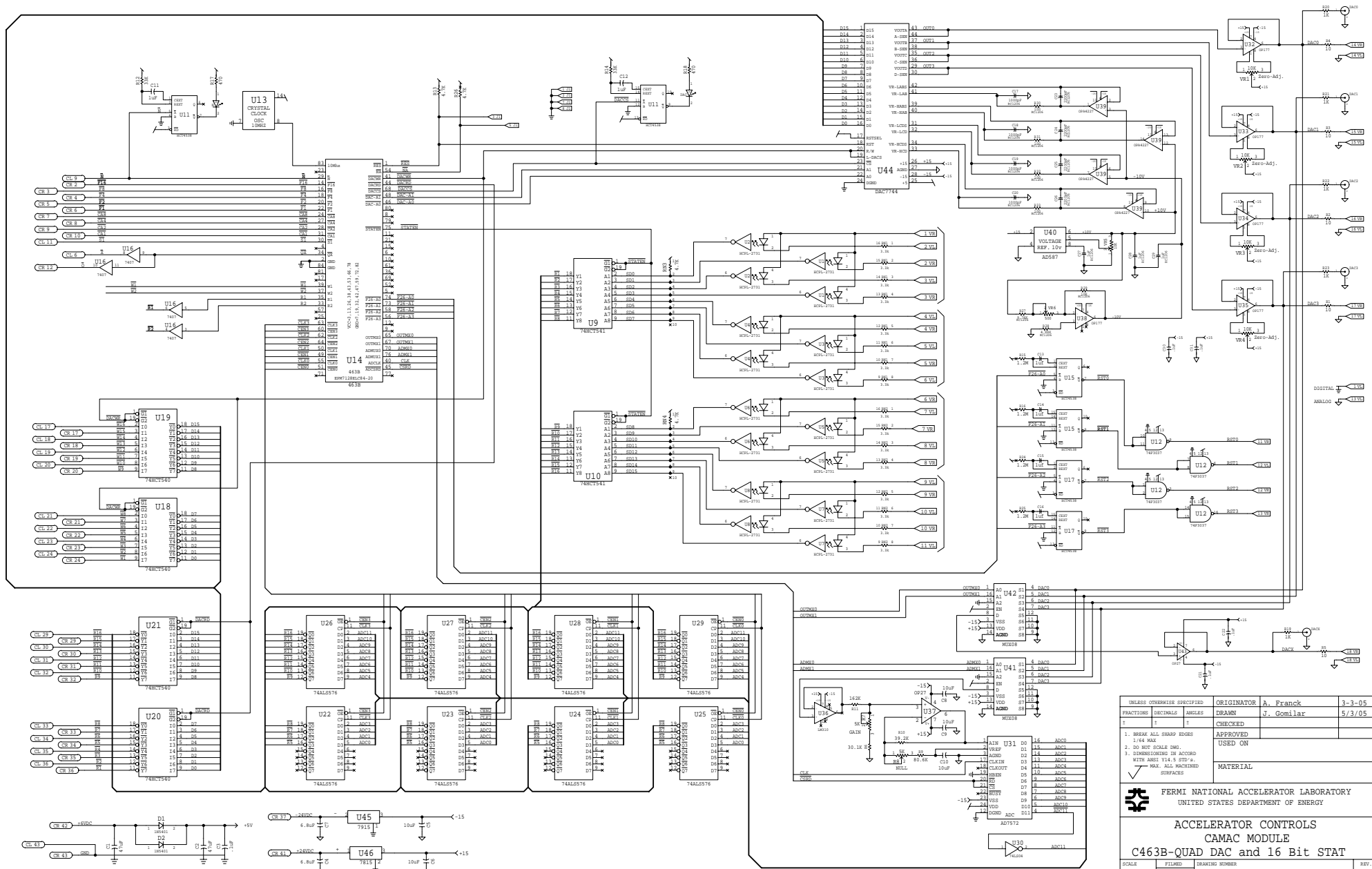



UNLESS OTHERWISE SPECIFIED			ORIGINATOR	AL FRANCK	3/31/05
FRACTIONS	DECIMALS	ANGLES	DRAWN	J. GOMILAR	5/3/05
±	±	±	CHECKED		
1. BREAK ALL SHARP EDGES 1/64 MAX			APPROVED		
2. DO NOT SCALE DWG.			USED ON		
3. DIMENSIONING IN ACCORD WITH ANSI V14.5 STD'S.			MATERIAL		
✓ MAX. ALL MACHINED SURFACES					
 FERMI NATIONAL ACCELERATOR LABORATORY UNITED STATES DEPARTMENT OF ENERGY					
Accelerator Controls CAMAC MODULE C463A					
SCALE	FILMED	DRAWING NUMBER			REV.
					0



UNLESS OTHERWISE SPECIFIED		ORIGINATOR	A. Franck	3-3-05	
FRACTIONS	DECIMALS	ANGLES	DRAWN	J. Gomialr	5/3/05
1	1	1	CHECKED		
			APPROVED		
			USED ON		
			MATERIAL		
 FERMI NATIONAL ACCELERATOR LABORATORY UNITED STATES DEPARTMENT OF ENERGY					
ACCELERATOR CONTROLS CAMAC MODULE C463B-QUAD DAC and 16 Bit STAT					
SCALE	FILMED	DRAWING NUMBER	REV.		