
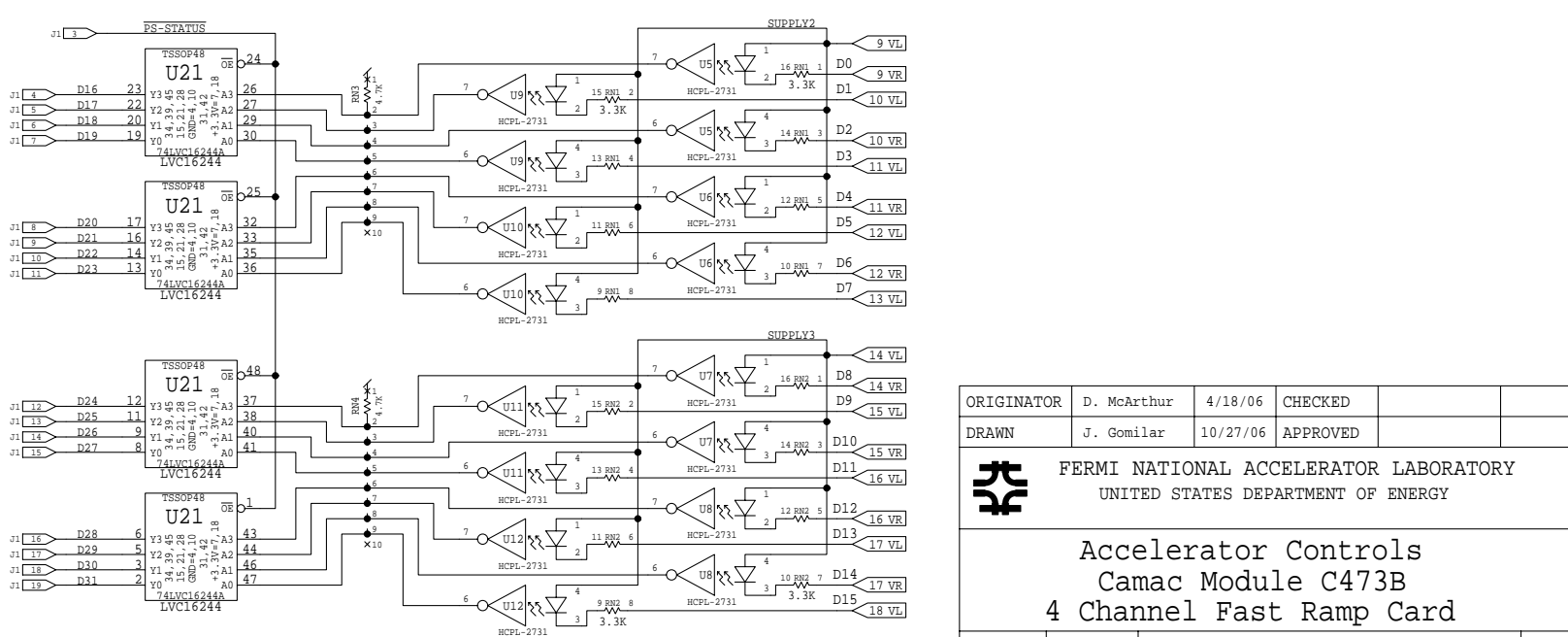
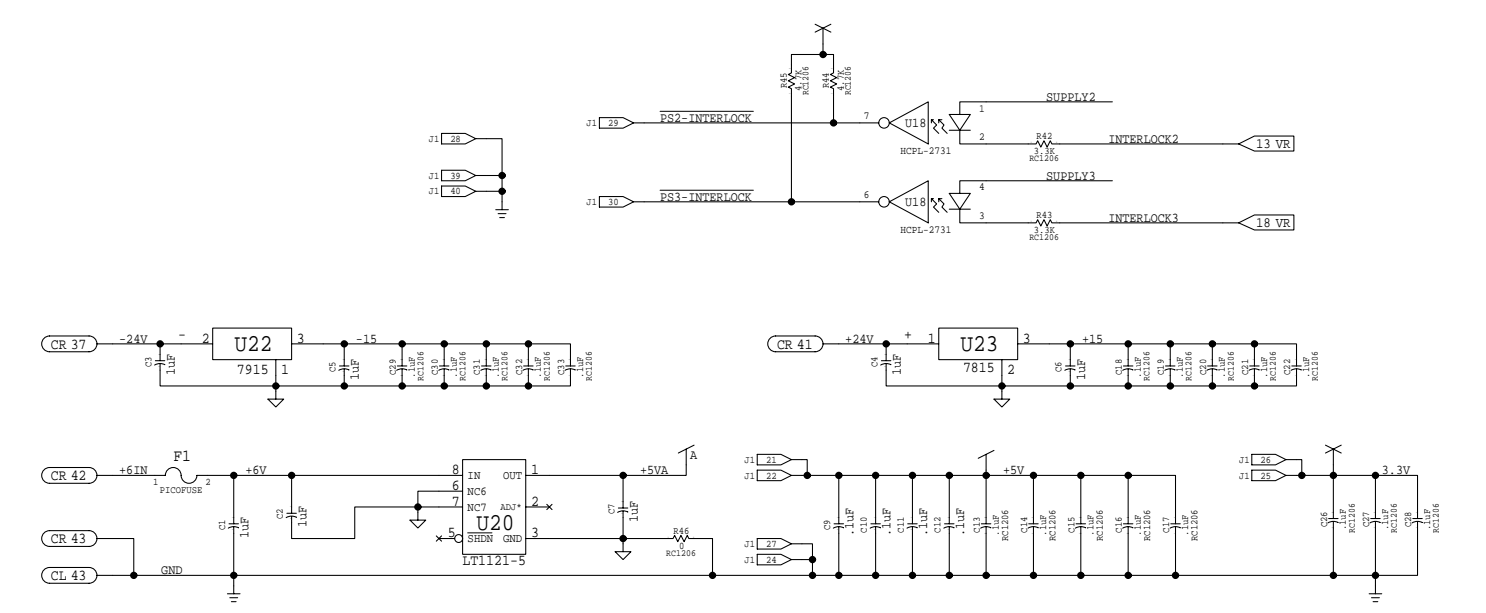
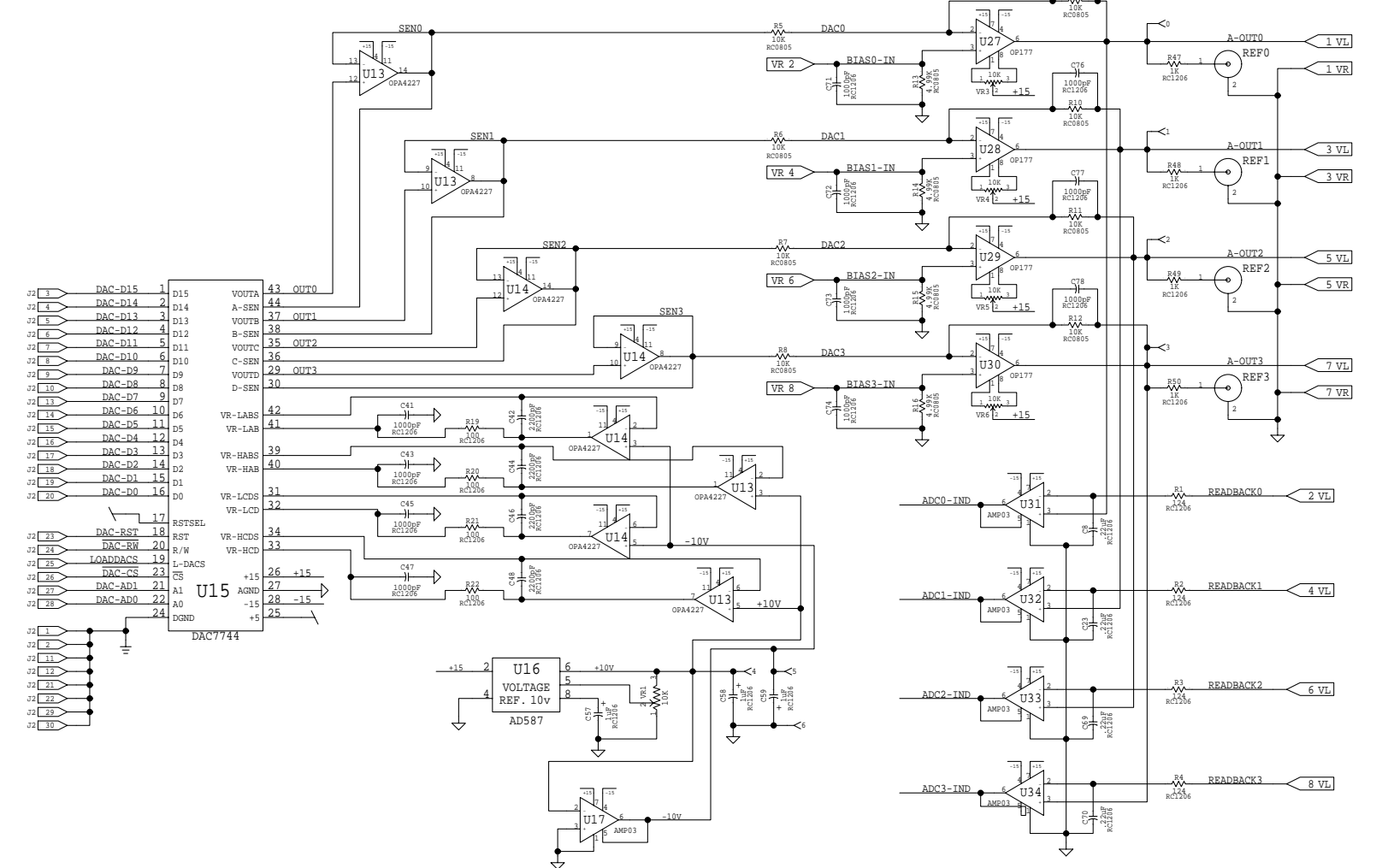
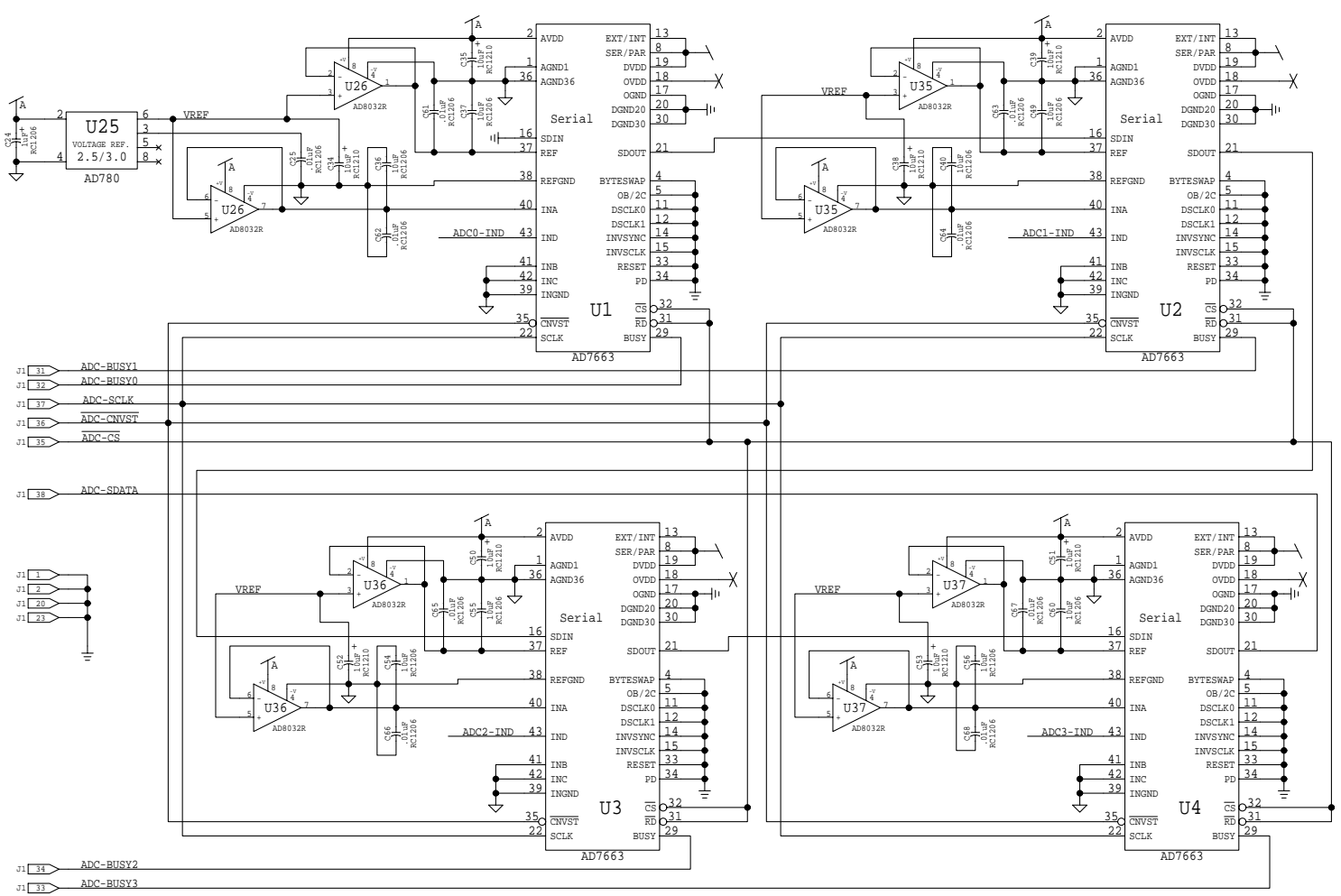



ORIGINATOR	D. McArthur	4/18/06	CHECKED
DRAWN	J. Gomialar	10/26/06	APPROVED
 FERMI NATIONAL ACCELERATOR LABORATORY UNITED STATES DEPARTMENT OF ENERGY			
Accelerator Controls Camac Module C473A 4 Channel Fast Ramp Card			
SCALE	FILMED	DRAWING NUMBER	REV.
			A



ORIGINATOR	D. McArthur	4/18/06	CHECKED	
DRAWN	J. Gomilar	10/27/06	APPROVED	
 FERMI NATIONAL ACCELERATOR LABORATORY UNITED STATES DEPARTMENT OF ENERGY				
Accelerator Controls Camac Module C473B 4 Channel Fast Ramp Card				
SCALE	FILMED	DRAWING NUMBER		REV. A