
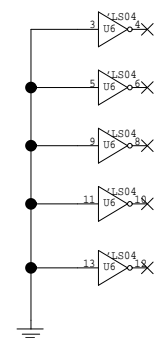
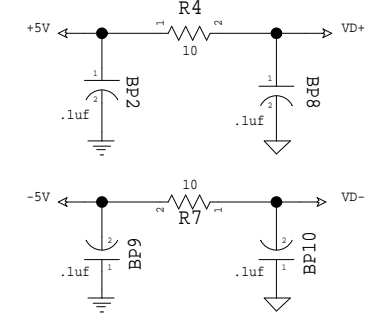
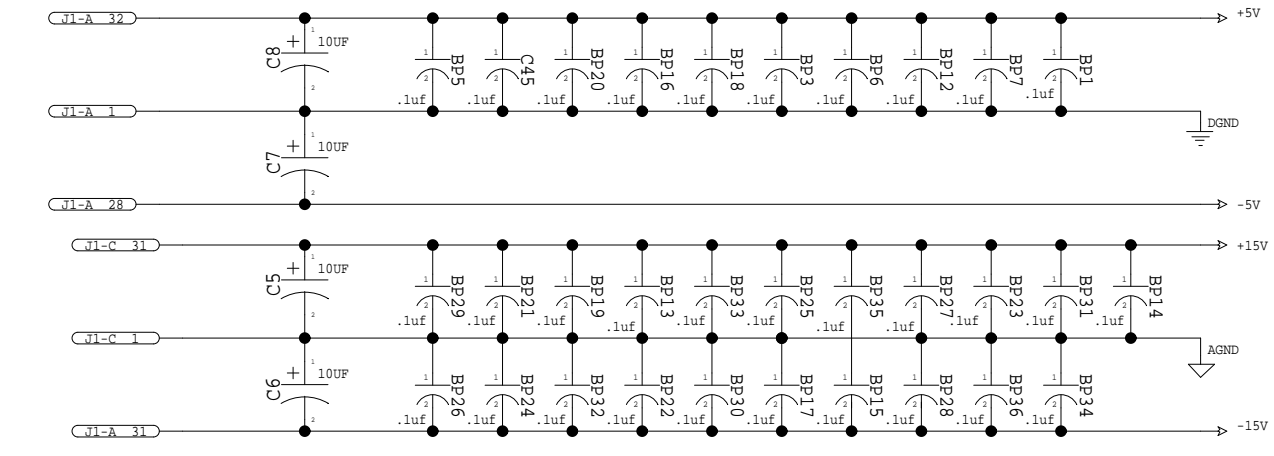
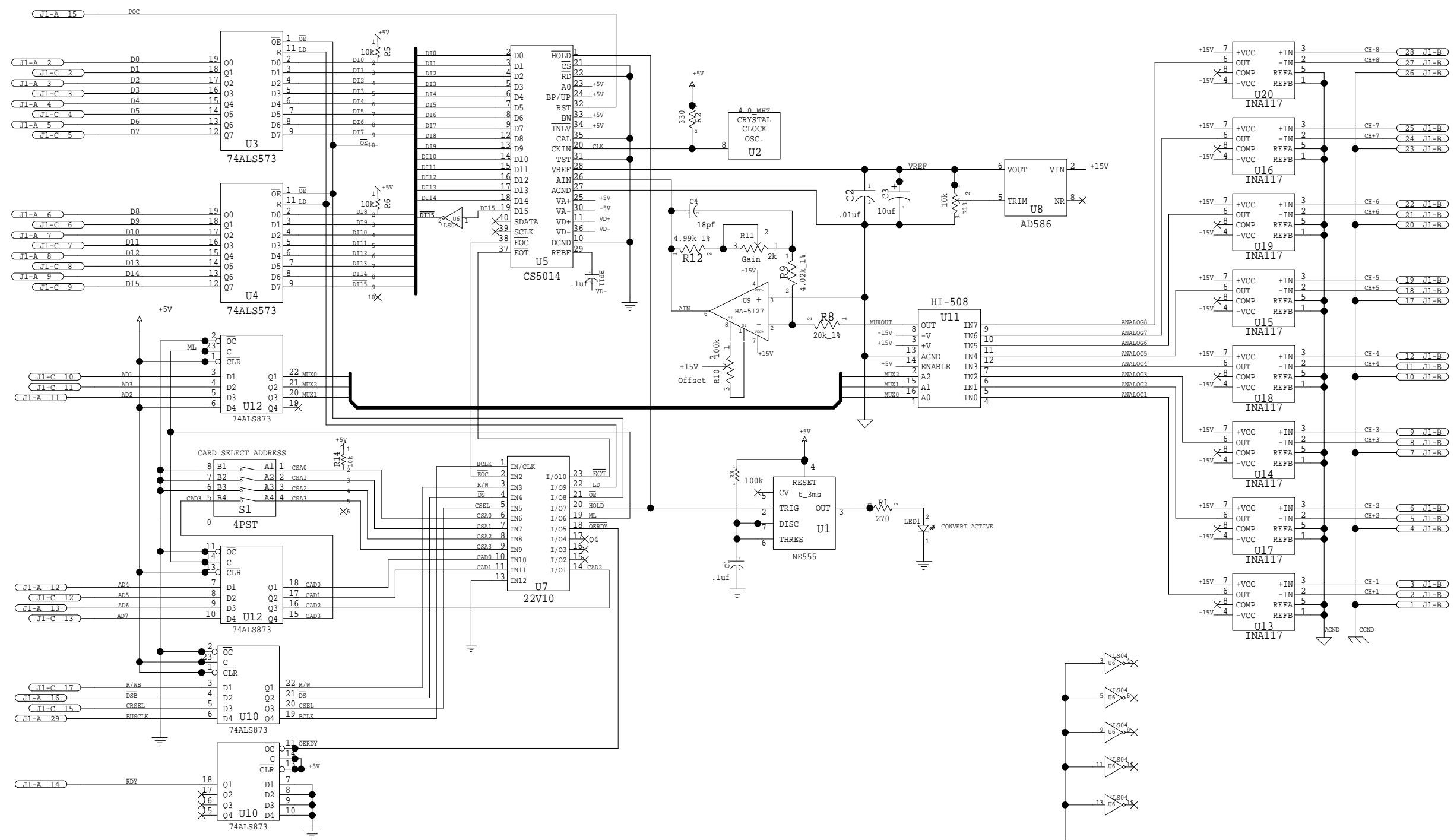


ITEM NO.	PART NO.	DESCRIPTION OR SIZE	QTY. REQ.
PARTS LIST			
UNLESS OTHERWISE SPECIFIED		ORIGINATOR	ALLEN FORNI
DESIGNER		ALLEN FORNI	02/27/90
FRACTIONS	DECIMALS	ANGLES	DRAWN
°	°	°	G.M. DYCHE
DRAWN		ALLEN FORNI	05/02/90
CHECKED		ALLEN FORNI	04/12/89
USED ON			
MATERIAL			
 FERMI NATIONAL ACCELERATOR LABORATORY UNITED STATES DEPARTMENT OF ENERGY			
MADC LOCAL BUS CONTROLLER			
SCALE	FILMED	DRAWING NUMBER	REV.
NONE		0880-EC-172837	B



ITEM NO.	PART NO.	DESCRIPTION OR SIZE	QTY. REQ.
PARTS LIST			
UNLESS OTHERWISE SPECIFIED		ORIGINATOR	Allen M. Forni
DESIGNER		Allen M. Forni	3/1/89
DRAWN		Allen M. Forni	5/30/89
USED ON			
MATERIAL			
FERMI NATIONAL ACCELERATOR LABORATORY UNITED STATES DEPARTMENT OF ENERGY			
14-BIT 8-CHANNEL MULTIPLEXED A/D CARD FOR VME CHASSIS MADC-8A			
SCALE	FILMED	DRAWING NUMBER	REV.
		0880-EC-172839	