

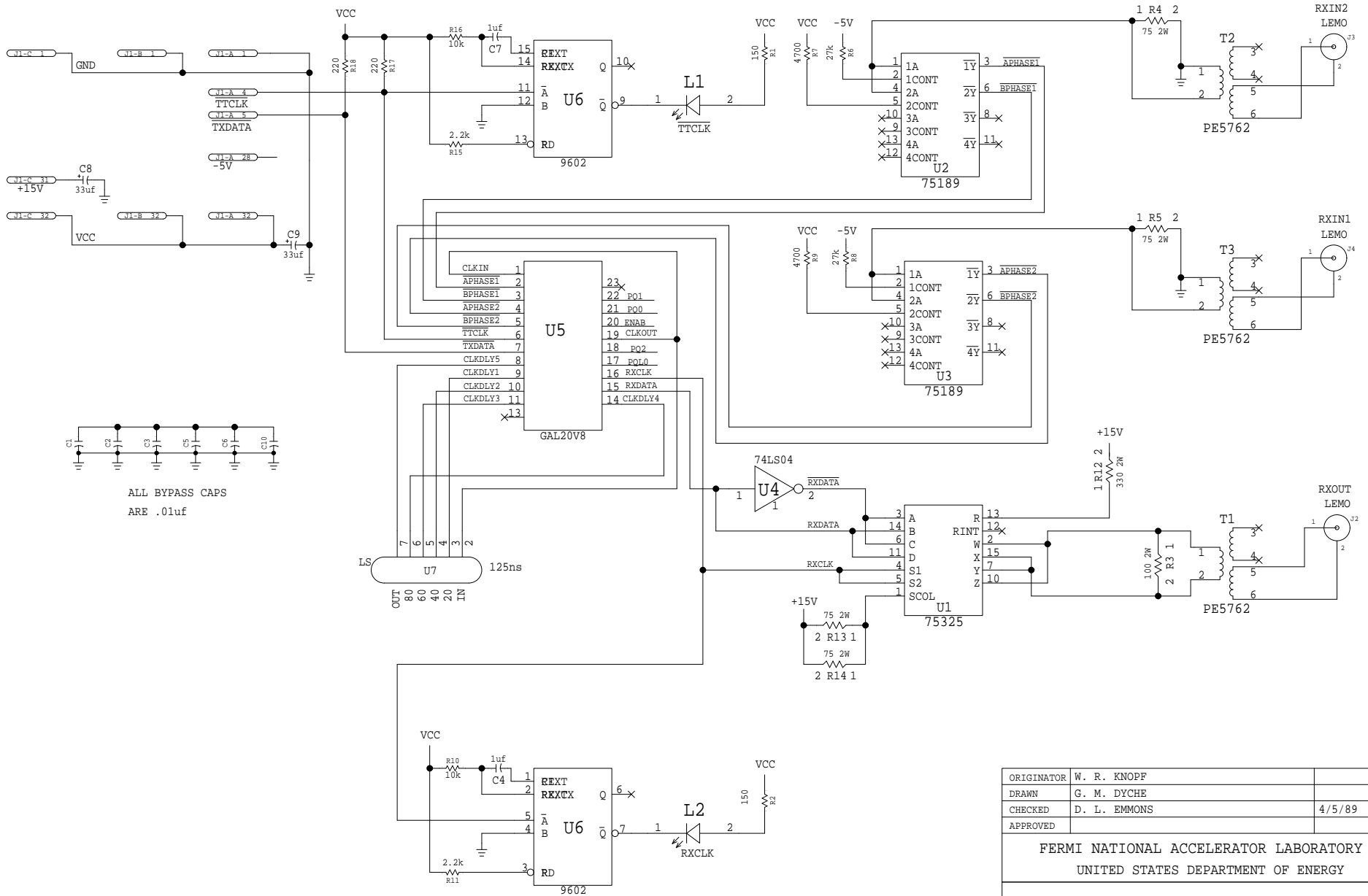
ALL BYPASS CAPS ARE .01uF

ORIGINATOR	W. R. KNOPF	
DRAWN	G. M. DYCHE	
CHECKED	D. L. EMMONS	4/5/89
APPROVED		

FERMI NATIONAL ACCELERATOR LABORATORY
UNITED STATES DEPARTMENT OF ENERGY

RESEARCH DIVISION/CONTROLS
SERIAL LINK REPEATER
TRANSMIT SECTION

SCALE	DRAWING NUMBER	REV.
NONE	0880-EC-172836	C

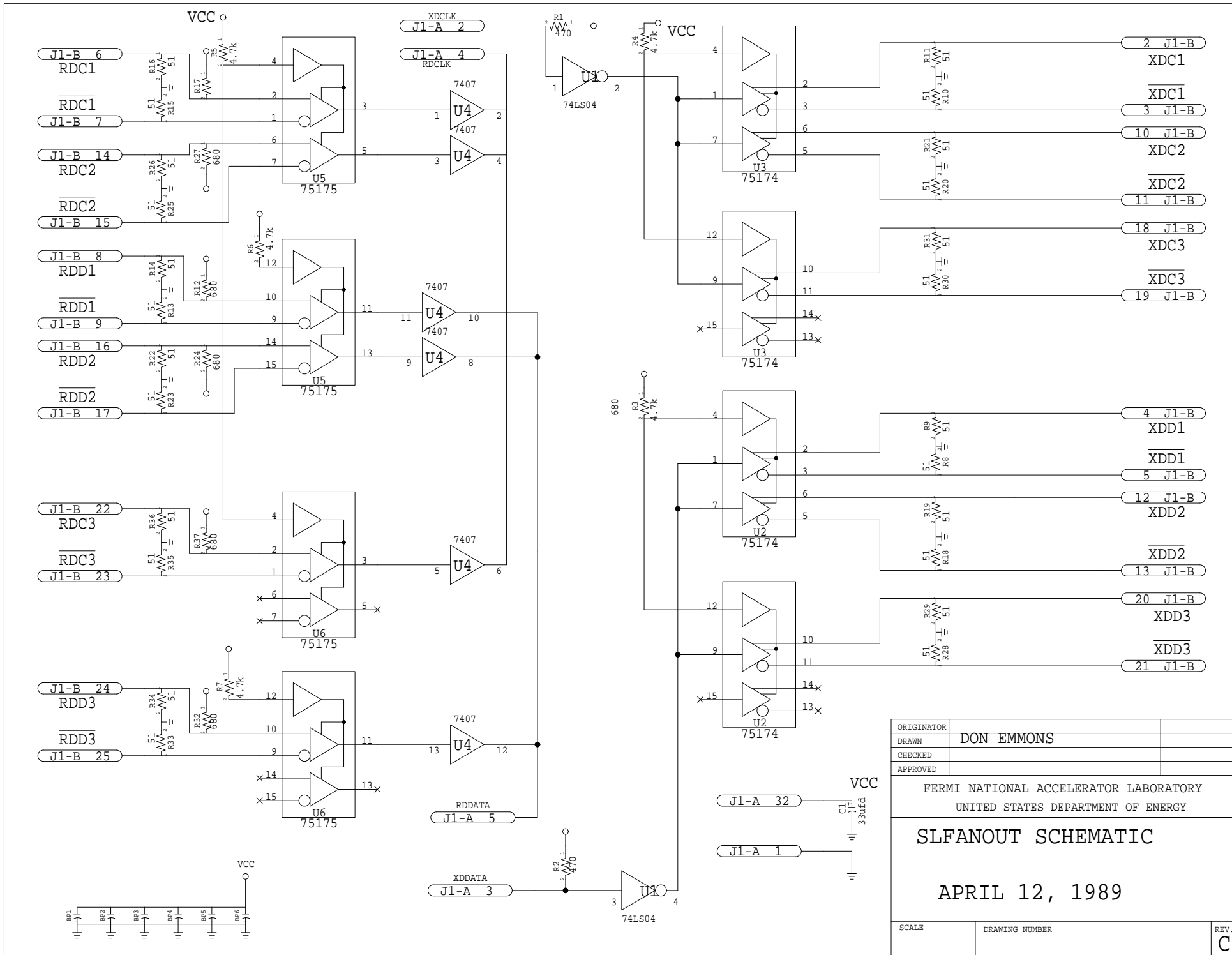


ORIGINATOR	W. R. KNOPF	
DRAWN	G. M. DYCHE	
CHECKED	D. L. EMMONS	4/5/89
APPROVED		

FERMI NATIONAL ACCELERATOR LABORATORY
UNITED STATES DEPARTMENT OF ENERGY

**RESEARCH DIVISION/CONTROLS
SERIAL LINK REPEATER
RECEIVE SECTION**

SCALE	DRAWING NUMBER	REV.
NONE	0880-EC-172835	C



ORIGINATOR		
DRAWN	DON EMMONS	
CHECKED		
APPROVED		
FERMI NATIONAL ACCELERATOR LABORATORY UNITED STATES DEPARTMENT OF ENERGY		
SLFANOUT SCHEMATIC		
APRIL 12, 1989		
SCALE	DRAWING NUMBER	REV. C