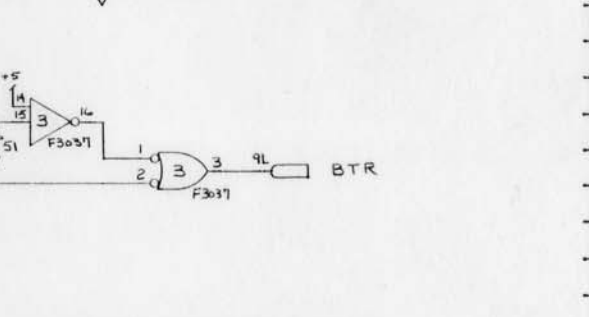
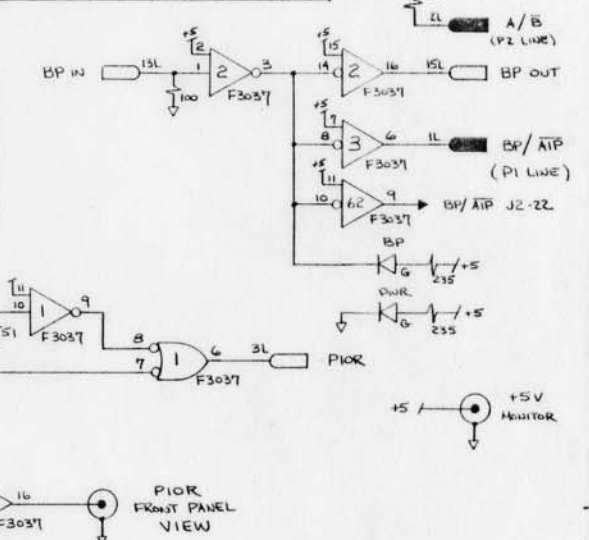
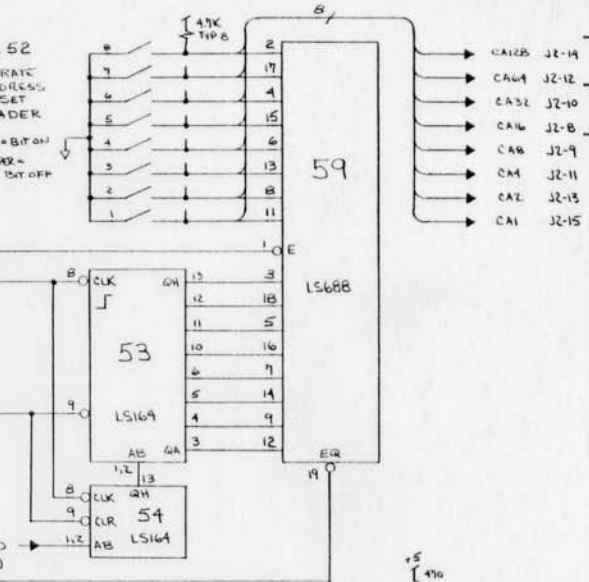
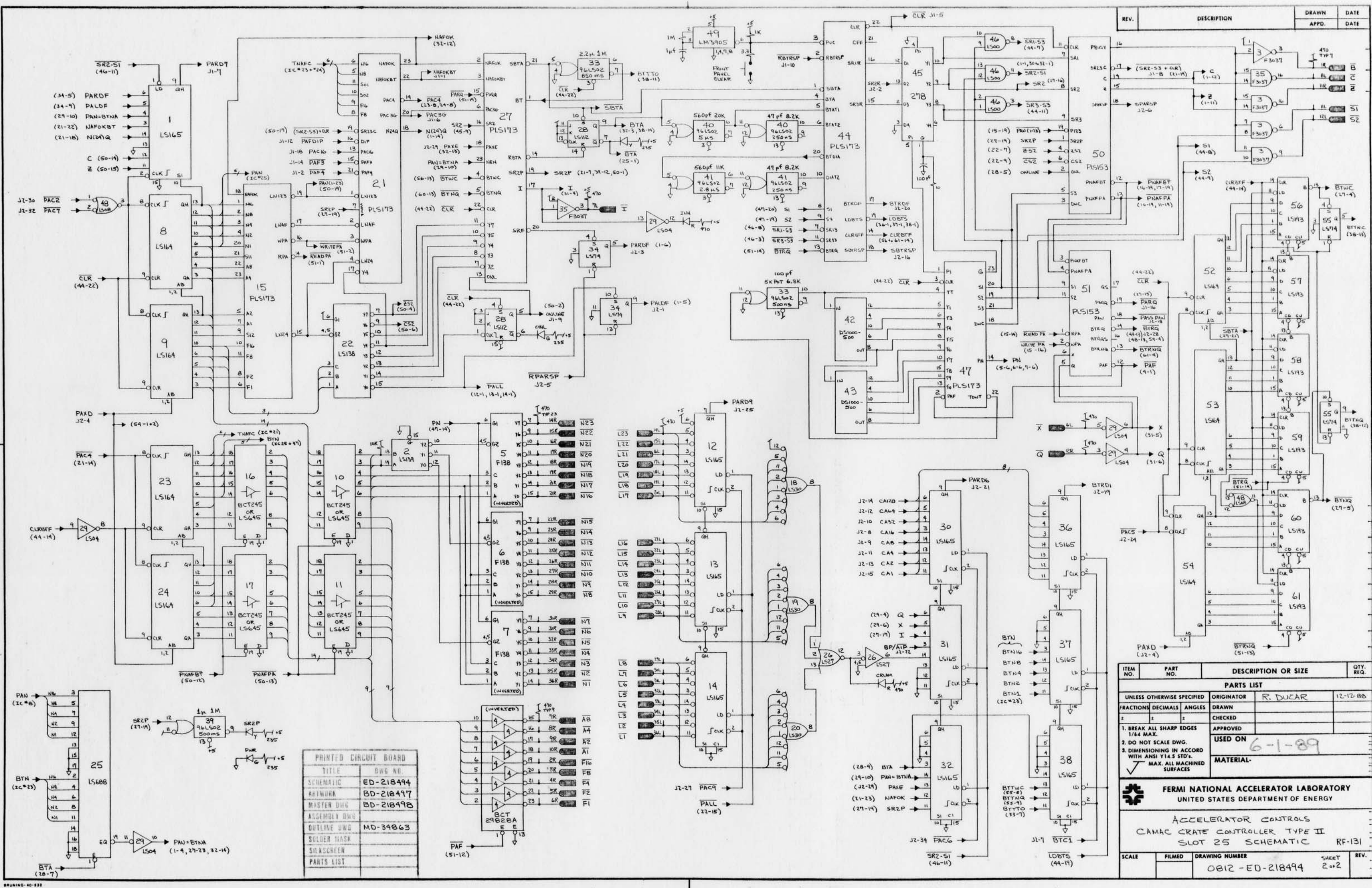


REV.	DESCRIPTION	DRAWN	DATE



ITEM NO.	PART NO.	DESCRIPTION OR SIZE	QTY. REQ.
PARTS LIST			
UNLESS OTHERWISE SPECIFIED			
FRACTIONS	DECIMALS	ANGLES	ORIGINATOR
			R. DUCAR
			10-26-88
DRAWN			
CHECKED			
APPROVED			
USED ON 6-1-89			
MATERIAL			

FERMI NATIONAL ACCELERATOR LABORATORY UNITED STATES DEPARTMENT OF ENERGY			
ACCELERATOR CONTROLS CAMAC CRATE CONTROLLER TYPE II SLOT 24 SCHEMATIC RF-130			
SCALE	FILMED	DRAWING NUMBER	SHEET REV.
		0812-ED-218494	1 OF 2



REV.	DESCRIPTION	DRAWN	DATE

TITLE	DWG NO.
SCHEMATIC	ED-218494
ARTWORK	BD-218497
MASTER DWG	BD-218498
ASSEMBLY DWG	
OUTLINE DWG	MD-39863
SOLDER MASK	
SILSCREEN	
PARTS LIST	

ITEM NO.	PART NO.	DESCRIPTION OR SIZE	QTY. REQ.
PARTS LIST			
UNLESS OTHERWISE SPECIFIED		ORIGINATOR	R. DUCAR
12-12-88			
FRACTIONS	DECIMALS	ANGLES	DRAWN
±	±	±	CHECKED
1. BREAK ALL SHARP EDGES 1/4" MAX.		APPROVED	
2. DO NOT SCALE DWG.		USED ON	
3. DIMENSIONING IN ACCORD WITH ANSI Y14.5 STD.		6-1-89	
MAX. ALL MACHINED SURFACES		MATERIAL	
FERMI NATIONAL ACCELERATOR LABORATORY UNITED STATES DEPARTMENT OF ENERGY			
ACCELERATOR CONTROLS CAMAC CRATE CONTROLLER TYPE II SLOT 25 SCHEMATIC RF-131			
SCALE	FILMED	DRAWING NUMBER	SHEET REV.
		0812-ED-218494	2 of 2