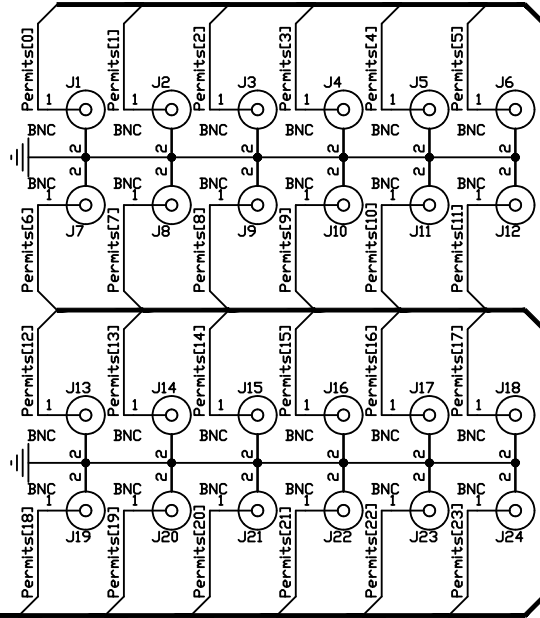
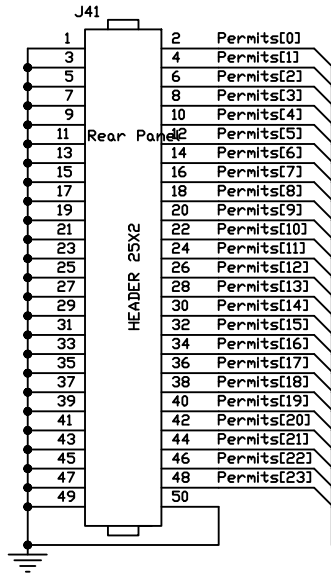
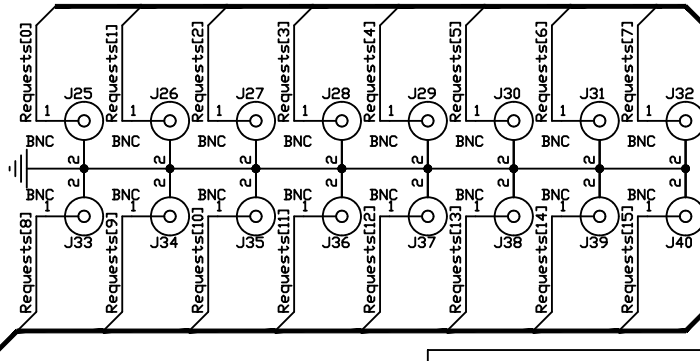
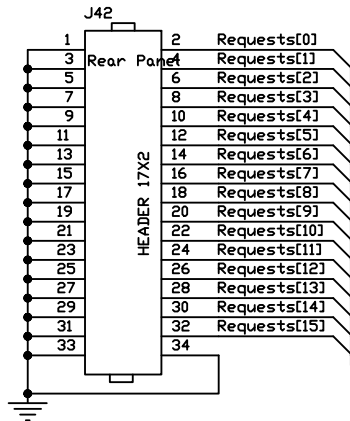


Connect the 25x2 header connector J41 on the BackPanelBoard.Permits&Requests to J6 on the Mainboard.Buff&Iso with a ribbon cable.



Connect the 12x2 header connector J42 on the BackPanelBoard.Permits&Requests to J7 on the Mainboard.Buff&Iso with a ribbon cable.



Title		
BSSB.BackPanelBoard.Permits&Requests		
Size	Document Number	Rev
A	<Doc>	<RevCode>
Date:	Thursday, August 06, 2015	Sheet 1 of 1