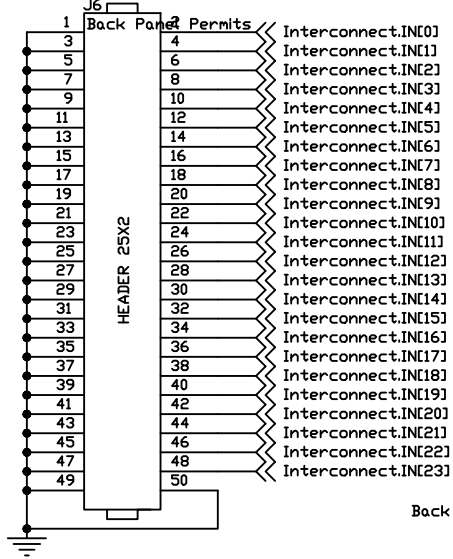
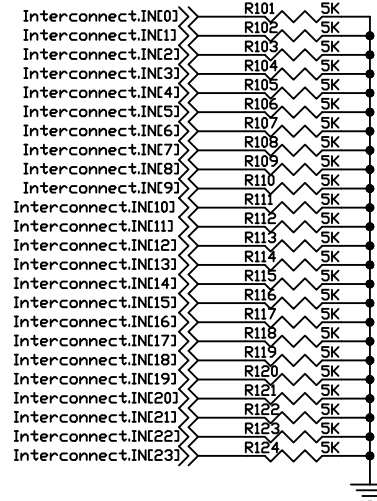
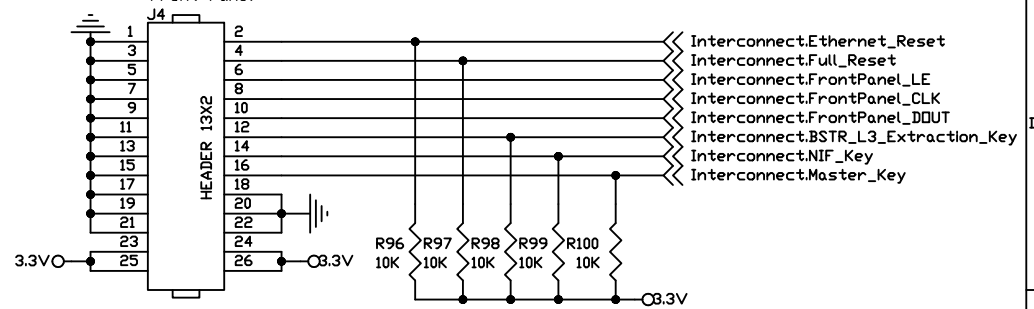


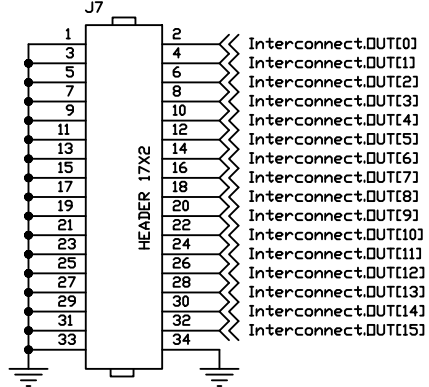
Connect the 25x2 header connector J6 on the Mainboard.Buff&Iso to J41 on the BackPanelBoard.Permits&Requests with a ribbon cable.



Connect the 12x2 header connector J4 on the Mainboard.FPGA to J1 on the FrontPanelBoard.FrontPanel with a ribbon cable.



Connect the 17x2 header connector J7 on the Mainboard.Buff&Iso to J42 on the BackPanelBoard.Permits&Requests with a ribbon cable.



Title		
BSSB.Mainboard.Interconnect		
Size	Document Number	Rev
A	<Doc>	<Rev Code>
Date:	Friday, November 20, 2015	Sheet 1 of 1